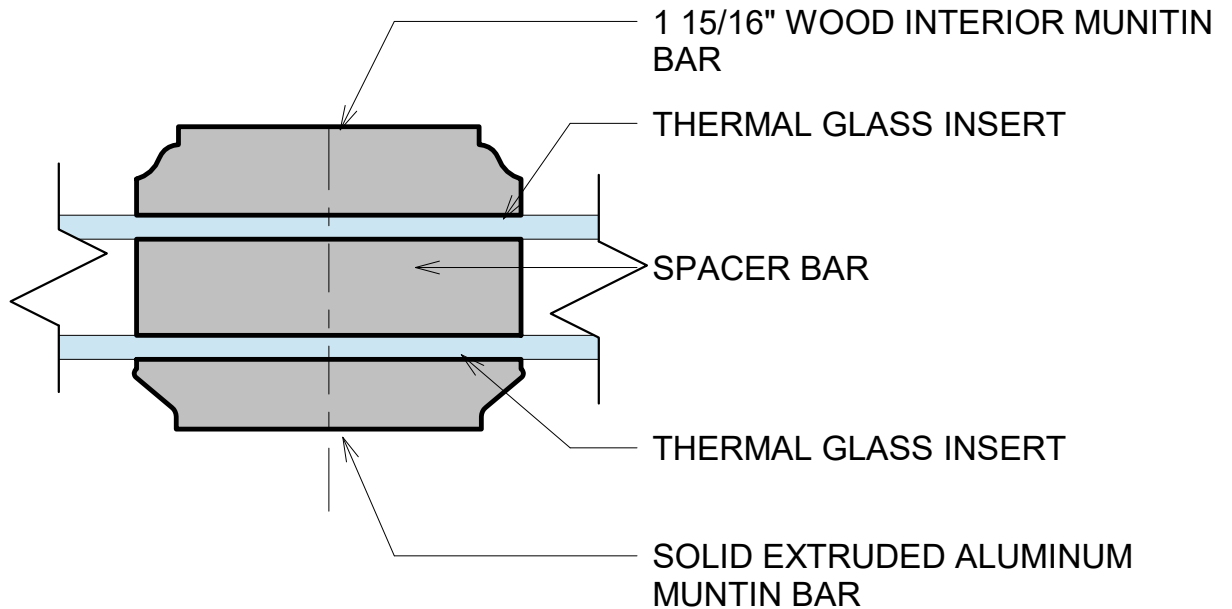
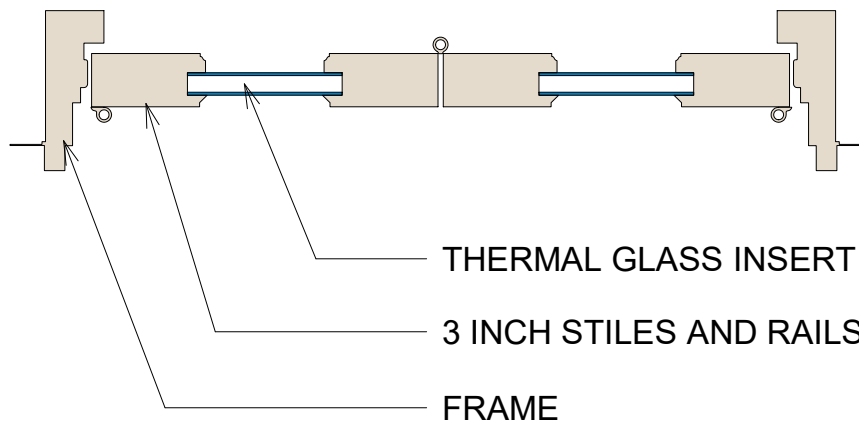


7/8 INCH PROFILE SIMULATED DIVIDED LITE



① MUNTIN BAR
12" = 1'-0"

3 INCH STILES AND RAILS



② WINDOW SECTION
1 1/2" = 1'-0"



KWH design, inc.
Keith Hinzman
LEED AP BD+C
PO BOX 51644
Boston, MA 02205
(617) 913-4714
keith@kwhdesign.net
www.KWHdesign.net

DAVE CALLAN
JOHN
SANTANIELLO
VERA PIZZA
PROGRESS SET

MUNTIN BARS

| | | |
|----------------|------------|-----------------|
| Project number | VNPR-A | SKA-1.01 |
| Date | 2020-03-10 | |
| Drawn by | Author | |
| Checked by | Checker | |
| Scale | | As indicated |