



LEGEND

- Proposed Shade Trees
- Proposed Ornamental Trees
- Lawn
- STORMWATER BASIN

0' 30' 60'

NORTH

architect:

GSD
 GSD Associates, LLC.
 CIVIL ENGINEERS | ENVIRONMENTAL CONSULTANTS
 146 MAIN STREET
 NORTH ANDOVER, MA 01845
 Tel: 978-688-5422
 www.gsd-gscc.com

civil engineer:

The Morin-Cameron GROUP, INC.
 CIVIL ENGINEERS | ENVIRONMENTAL CONSULTANTS
 66 ELM STREET, SUITE 100
 NORTH ANDOVER, MA 01845
 Tel: 978-772-8888
 www.morincameron.com

landscape architect:

Radner Design Associates, Inc.
 945 CONCORD STREET
 SUITE 100
 NORTH ANDOVER, MA 01845
 Tel: 978-688-5422
 www.radnerdesign.com

owner:

THREE BOSTON WAY, LLC
 231 SUTTON STREET, SUITE 1B
 North Andover, MA 01845
 Tel: 978-688-5422

sheet title:

Colored Context Plan

project name:

**3 BOSTON WAY
 3 BOSTON WAY
 NEWBURYPORT, MA**

issue date: 10/23/19

- revisions:
- 1 Planning Bd Review 12/11/2019
 - 2 Notice of Intent 12/20/2019
 - 3 Planning Bd Review 01/23/2020

dr. chk.


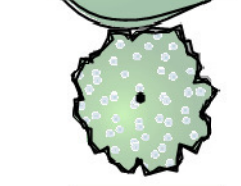
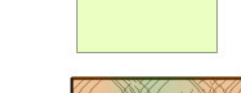

© 2019 Radner Design Associates, Inc. ALL RIGHTS RESERVED. ALL IDEAS, DESIGNS, PLANS AND SPECIFICATIONS ARE THE PROPERTY OF RADNER DESIGN ASSOCIATES, INC. RIGHTS OF USE ARE CONDITIONAL AND ARE LIMITED TO A ONE-TIME USE TO CONSTRUCT A SINGLE PROJECT ON THE SITE SO INDICATED. USE OF THIS WORK AND ANY DERIVATIVE WORK CONSIDERED UNDER THIS COPYRIGHT AGREEMENT IS PROHIBITED WITHOUT THE USE OR REPRODUCTION OF THESE PLANS FOR ANY OTHER CONSTRUCTION OR OTHER APPLICATION IS STRICTLY PROHIBITED WITHOUT PRIOR WRITTEN PERMISSION OF RADNER DESIGN ASSOCIATES, INC. AND THE LANDSCAPE ARCHITECT WHOSE SIGNATURE AND SEAL MAY BE AFFIXED TO THESE DRAWINGS.

job number:
DA 19-22

L0.0



LEGEND

-  Proposed Shade Trees
-  Proposed Ornamental Trees
-  Lawn
-  STORMWATER BASIN

architect:

GSD
 GSD Associates, LLC.
 CIVIL ENGINEERS | ENVIRONMENTAL CONSULTANTS
 146 MAIN STREET
 NORTH ANDOVER, MA 01845
 Tel: 978-688-5422
 www.gsd-assoc.com

civil engineer:

The Morin-Cameron GROUP, INC.
 CIVIL ENGINEERS | ENVIRONMENTAL CONSULTANTS
 66 ELM STREET, SUITE 101
 NORTH ANDOVER, MA 01845
 Tel: 978-772-8886
 www.morincameron.com

landscape architect:

Radner Design Associates, Inc.
 945 CONCORD STREET
 SUITE 100
 NORTH ANDOVER, MA 01845
 Tel: 978-688-5422
 www.radnerdesign.com

owner:

THREE BOSTON WAY, LLC
 231 SUTTON STREET, SUITE 1B
 North Andover, MA 01845
 Tel: 978-688-5422

sheet title:

Colored Plan

project name:

**3 BOSTON WAY
 NEWBURYPORT, MA**

issue date: 10/23/19

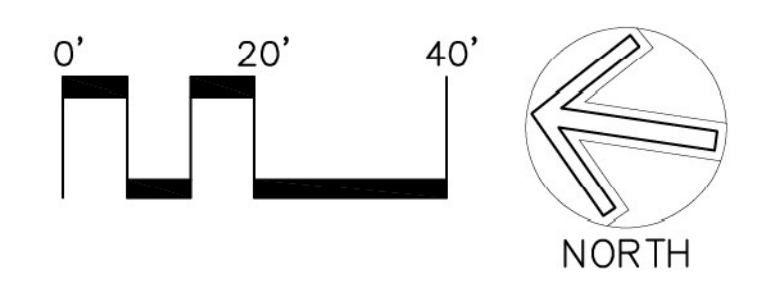
- revisions:
- 1 Planning Bd Review 12/11/2019
 - 2 Notice of Intent 12/20/2019
 - 3 Planning Bd Review 01/23/2020

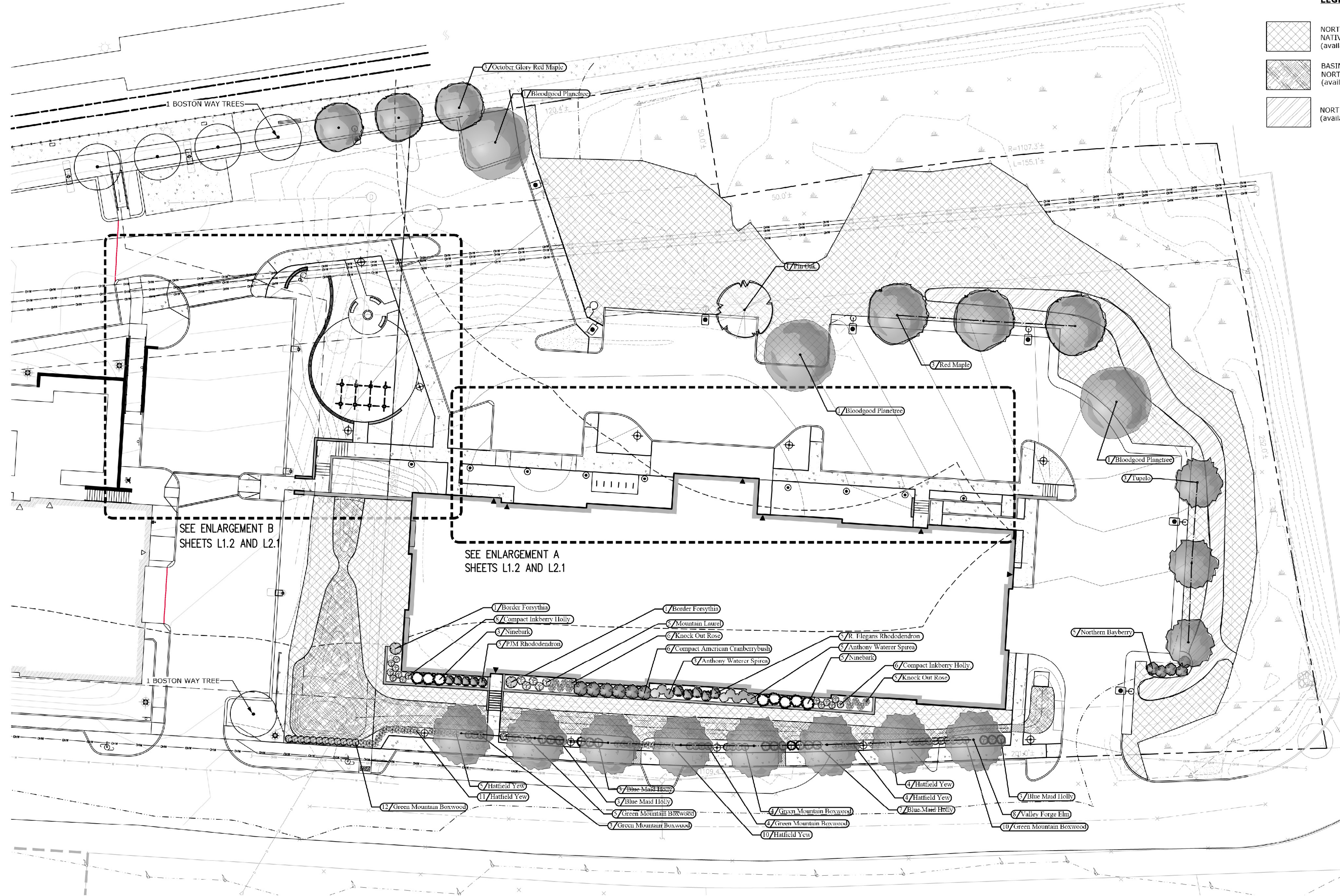
dr. chk.

© 2019 Radner Design Associates, Inc. ALL RIGHTS RESERVED. ALL IDEAS, DESIGNS, PLANS AND SPECIFICATIONS ARE THE PROPERTY OF RADNER DESIGN ASSOCIATES, INC. RIGHTS OF USE ARE CONDITIONAL AND ARE LIMITED TO A ONE-TIME USE TO CONSTRUCT A SINGLE PROJECT OR TO THE EXTENT NECESSARY FOR THE USE OR REPRODUCTION OF THESE PLANS FOR ANY OTHER CONSTRUCTION OR PROJECT APPLICATION IS STRICTLY PROHIBITED WITHOUT PRIOR WRITTEN PERMISSION OF RADNER DESIGN ASSOCIATES, INC. AND THE LANDSCAPE ARCHITECT WHOSE SIGNATURE AND SEAL MAY BE AFFIXED TO THESE DRAWINGS.

job number:
DA 19-22

L0.1





LEGEND

- NORTHEAST UPLAND NATIVE/NATURALIZED WILDFLOWER MIX (available from Southern Tier Consulting)
- BASIN BOTTOM SEED MIX NORTHEAST WETLAND SHRUB HERB MIX (available from Southern Tier Consulting)
- NORTHEAST WETLAND HUMMOCK MIX (available from Southern Tier Consulting)



architect:
GSD
 GSD Associates, LLC.
 148 MAIN STREET
 NORTH ANDOVER, MA 01845
 Tel: 978-688-5422
 www.gsd-associates.com

civil engineer:
The Morin-Cameron GROUP, INC.
 CIVIL ENGINEERS | ENVIRONMENTAL CONSULTANTS
 65 ELM STREET
 NORTH ANDOVER, MA 01845
 Tel: 978-773-8586
 www.morincameron.com

landscape architect:
Radner Design Associates, Inc.
 945 CONCORD STREET
 SUITE 100
 NORTH ANDOVER, MA 01845
 Tel: 978-735-6444
 www.radnerdesign.com

owner:
THREE BOSTON WAY, LLC
 231 BUTTON STREET, SUITE 1B
 North Andover, MA 01845
 Tel: 978-688-5422

sheet title:
Planting Plan

project name:
**3 BOSTON WAY
 NEWBURYPORT, MA**

issue date: 10/23/19

revisions:
 1 Planning Bid Review 12/11/2019
 2 Notice of Intent 12/20/2019
 3 Planning Bid Review 01/23/2020

dr: chk.

© 2019 Radner Design Associates, Inc. ALL RIGHTS RESERVED. ALL DESIGN PLANS AND SPECIFICATIONS ARE THE PROPERTY OF RADNER DESIGN ASSOCIATES, INC. RIGHTS OF USE ARE CONDITIONAL AND ARE LIMITED TO A SINGLE USE TO COMPLETE A SINGLE PROJECT. NO PART OF THESE PLANS OR SPECIFICATIONS OR ANY DERIVATIVE WORKS OR REVISIONS THEREOF SHALL BE REPRODUCED OR TRANSMITTED IN ANY FORM OR BY ANY MEANS, ELECTRONIC OR MECHANICAL, INCLUDING PHOTOCOPYING, RECORDING, OR BY ANY INFORMATION STORAGE AND RETRIEVAL SYSTEM, WITHOUT THE WRITTEN PERMISSION OF RADNER DESIGN ASSOCIATES, INC. THE LANDSCAPE ARCHITECT WHERE SIGNATURE AND SEAL MAY BE APPLIED TO THESE DRAWINGS.

job number:
DA 19-22

L1.1

PLANT SCHEDULE - Sheet L1.1

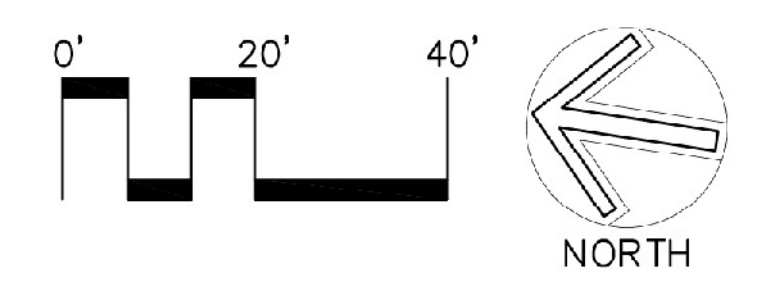
| Qty | Latin Name | Common Name | Scheduled Size | Remarks |
|--------------------|--|--------------------------------|----------------|---------------------------------------|
| Shade Trees | | | | |
| 3 | <i>Acer rubrum</i> | Red Maple | 3.5-4" Cal. | D&D, Full, Symmetrical, High Branched |
| 3 | <i>Acer rubrum</i> 'October Glory' | October Glory Red Maple | 3.5-4" Cal. | B&B, Full, Symmetrical, High Branched |
| 3 | <i>Nyssa sylvatica</i> | Tupelo | 3.5-4" Cal. | D&D, Full, Symmetrical, High Branched |
| 3 | <i>Platanus acerifolia</i> 'Bloodgood' | Bloodgood Planetree | 3.5-4" Cal. | B&B, Full, Symmetrical, High Branched |
| 1 | <i>Quercus palustris</i> | Pin Oak | 3.5-4" Cal. | B&B, Full, Symmetrical, High Branched |
| 8 | <i>Ulmus americana</i> 'Valley Forge' | Valley Forge Elm | 3.5-4" Cal. | B&B, Full, Symmetrical, High Branched |
| Shrubs | | | | |
| 38 | <i>Buxus x</i> 'Green Mountain' | Green Mountain Boxwood | 18-24" HT. | Container, 2.5' on center |
| 8 | <i>Clerthra alnifolia</i> 'Hummingbird' | Hummingbird Summersweet | 18-24" HT. | Container |
| 2 | <i>Forsythia intermedia</i> | Border Forsythia | 3-4' HT. | Container |
| 14 | <i>Ilex glabra</i> 'Densa' | Compact Inkberry Holly | 24-30" HT. | Container |
| 16 | <i>Ilex x meserveae</i> 'Blue Maid' | Blue Maid Holly | 24-30" HT. | Container, 3.5' on center |
| 5 | <i>Kalmia latifolia</i> 'Olympic Fire' | Mountain Laurel | 24-30" HT. | Container |
| 5 | <i>Myrica pennsylvanica</i> | Northern Bayberry | 7 Gal. | Container |
| 8 | <i>Physocarpus opulifolium</i> 'Diabolu' | Ninebark | 3-4' HT. | Container |
| 5 | Rhododendron 'PJM' | PJM Rhododendron | 24-30" HT. | B&B |
| 5 | Rhododendron 'Roseum Elegans' | Roseum Elegans Rhododendron | 30-36" HT. | B&B |
| 11 | Rosa x 'Knock Out' | Knock Out Rose | 5 Gal. | Container |
| 8 | <i>Spiraea bumalda</i> 'Anthony Waterer' | Anthony Waterer Spirea | 5 Gal. | Container |
| 34 | <i>Taxus x media</i> 'Hatfield' | Hatfield Yew | 18-24" HT. | Container, 2.5' on center |
| 6 | <i>Viburnum opulus x americanum</i> | Compact American Cranberrybush | 3-4' HT. | Container |

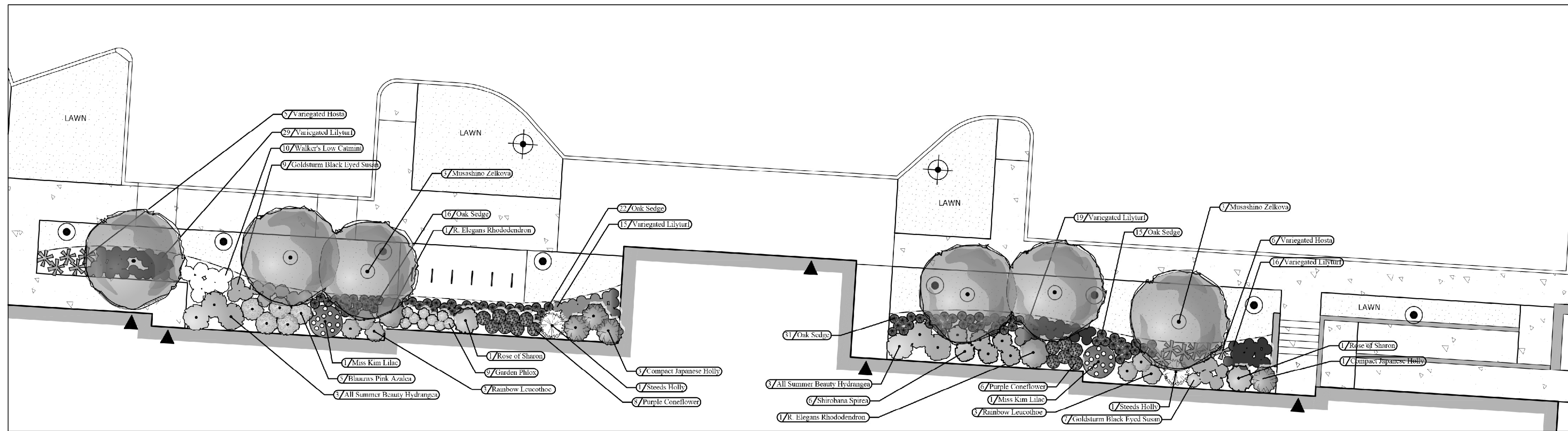
PLANT SCHEDULE - Sheet L1.2

| Qty | Latin Name | Common Name | Scheduled Size | Remarks |
|-------------------------|--|-----------------------------|----------------|---------------------------------------|
| Shade Trees | | | | |
| 6 | <i>Zelkova serrata</i> 'Musashino' | Musashino Zelkova | 3.5-4" Cal. | B&B, Full, Symmetrical, High Branched |
| Ornamental Trees | | | | |
| 3 | <i>Malus x</i> 'Prairifire' | Prairifire Crabapple | 8-10' | D&D, Full, Picturesque, Specimen |
| Shrubs | | | | |
| 5 | <i>Buddleia davidii</i> 'Black Knight' | Black Knight Butterfly Bush | 3 Gal. | Container |
| 37 | <i>Buxus x</i> 'Green Mountain' | Green Mountain Boxwood | 18-24" HT. | Container, 2.5' on center |
| 6 | <i>Euonymus fortunei</i> 'Coloratus' | Purpleleaf Winter creeper | 2 gal. | Container |
| 5 | <i>Forsythia intermedia</i> | Border Forsythia | 3-4' HT. | Container |
| 2 | <i>Hibiscus syriacus</i> | Rose of Sharon | 3-4' HT. | Container |
| 6 | <i>Hydrangea macrophylla</i> 'All Summer Beauty' | All Summer Beauty Hydrangea | 7 Gal. | Container |
| 4 | <i>Ilex crenata</i> 'Compacta' | Compact Japanese Holly | 18-24" HT. | Container |
| 2 | <i>Ilex crenata</i> 'Steeds' | Steeds Holly | 35-42" HT. | Container |
| 10 | <i>Ilex glabra</i> 'Densa' | Compact Inkberry Holly | 24-30" HT. | Container |
| 7 | <i>Juniperus chinensis sargentii</i> 'Glaucua' | Blue Sargent Juniper | 12-18" Spr. | Container |
| 6 | <i>Leucothoe fontanesiana</i> 'Girard's Rainbow' | Rainbow Leucothoe | 18-24" HT. | Container |
| 5 | Rhododendron 'Blauvus Pink' | Blauvus Pink Azalea | 18-24" HT. | Container |
| 2 | Rhododendron 'Roseum Elegans' | Roseum Elegans Rhododendron | 24-30" HT. | B&B |
| 47 | <i>Rhus aromatica</i> 'Gro-low' | Gro-low Sumac | 3 gal. | Container |
| 6 | <i>Spiraea japonica</i> 'Shirobana' | Shirobana Spirea | 12-18" HT. | Container |
| 2 | <i>Syringa patula</i> 'Miss Kim' | Miss Kim Lilac | 30-36" HT. | Container |

Perennials, Grasses and Groundcovers

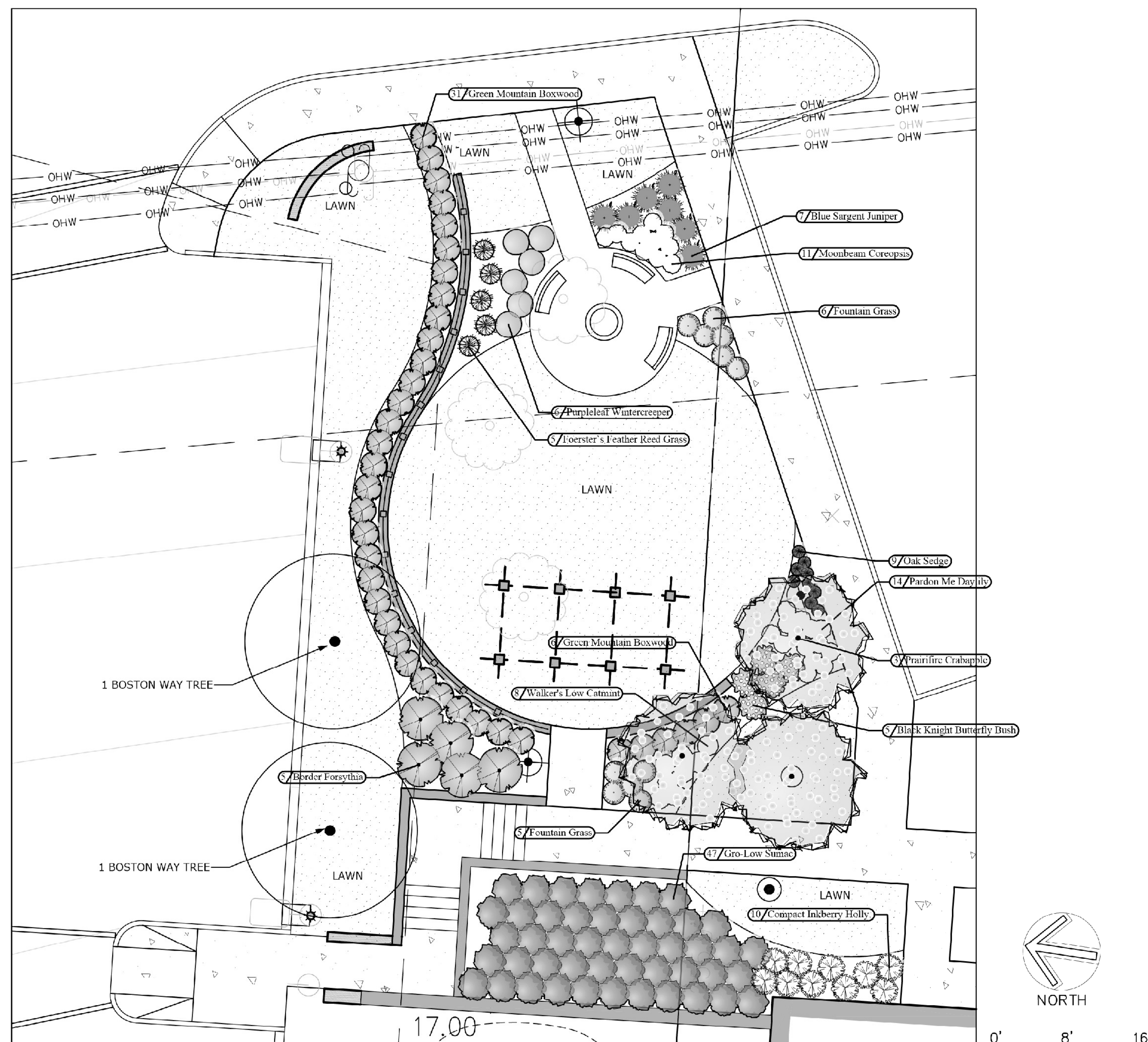
| | | | | |
|----|--|-------------------------------|--------|-----------|
| 5 | <i>Columnagrostis x acutifloru</i> 'Karl Foerster' | Foerster's Feather Reed Grass | 2 Gal. | Container |
| 93 | <i>Larix pennsylvanica</i> | Oak Sedge | 1 Gal. | Container |
| 11 | <i>Coreopsis verticillata</i> 'Moonbeam' | Moonbeam Coreopsis | 1 Gal. | Container |
| 14 | <i>Echinacea purpurea</i> 'Harvest Moon' | Purple Coneflower | 1 Gal. | Container |
| 24 | <i>Hemerocallis x</i> 'Pardon Me' | Pardon Me Daylily | 1 Gal. | Container |
| 11 | <i>Hosta 'Frances'</i> | Variegated Hosta | 1 Gal. | Container |
| 29 | <i>Liriope muscari</i> 'Variegata' | Variegated Liriope | 1 Gal. | Container |
| 18 | <i>Nepeta x faassenii</i> 'Walker's Low' | Walker's Low Catmint | 1 Gal. | Container |
| 11 | <i>Pennisetum alopecuroides</i> | Fountain Grass | 2 Gal. | Container |
| 9 | <i>Phlox paniculata</i> | Garden Phlox | 1 Gal. | Container |
| 1b | <i>Rudbeckia fulgida</i> 'Goldsturm' | Goldsturm black eyed Susan | 1 Gal. | Container |





1 PLANTING ENLARGEMENT A
L1.2 SCALE: 1/8"=1'-0"

- NOTES**
- FURNISH AND INSTALL PLANTS AS SHOWN. CONTRACTOR SHALL BE RESPONSIBLE FOR QUANTITY OF SHRUBS GRAPHICALLY SHOWN ON PLANS. IF THERE IS A DISCREPANCY BETWEEN PLANT LIST QUANTITIES AND GRAPHICS, THE GRAPHIC SHALL TAKE PRECEDENCE.
 - PRIOR TO THE START OF EXCAVATION FOR THE PROJECT BOTH ON AND OF THE SITE, THE CONTRACTOR SHALL NOTIFY DIGSAFE AND BE PROVIDED A DIGSAFE NUMBER INDICATING THAT EXISTING UTILITIES HAVE BEEN LOCATED AND MARKED.
 - CONTRACTOR SHALL BEGIN 90 DAY MAINTENANCE PERIOD IMMEDIATELY UPON PLANTING AND WILL CONTINUE UNTIL FINAL ACCEPTANCE.
 - CONTRACTOR SHALL VERIFY TREE REMOVALS WITH LANDSCAPE ARCHITECT PRIOR TO CONSTRUCTION START.
 - CONTRACTOR SHALL MAINTAIN POSITIVE DRAINAGE AWAY FROM BUILDING FOUNDATIONS, STRUCTURES, AND PLANTING BEDS.
 - MAXIMUM SLOPE WITHIN DISTURBED AREAS SHALL NOT EXCEED 3:1, UNLESS OTHERWISE NOTED.
 - PLANTS SHALL BEAR THE SAME RELATIONSHIP TO FINISH GRADE AS TO ORIGINAL GRADES BEFORE DIGGING.
 - PLANT MATERIALS SHALL CONFORM TO THE GUIDELINES ESTABLISHED BY "THE AMERICAN STANDARD FOR NURSERY STOCK", PUBLISHED BY THE AMERICAN ASSOCIATION OF NURSERYMEN.
 - PLANTS TO BE BALLED IN BURLAP OR CONTAINERIZED.
 - MULCH FOR PLANTED AREAS TO BE AGED PINE BARK: PARTIALLY DECOMPOSED, DARK BROWN IN COLOR AND FREE OF WOOD CHIPS THICKER THAN 1/4 INCH.
 - PLANTING SOIL MIX: LOAM THOROUGHLY INCORPORATED WITH ROTTED MANURE PROPORTIONED 5 C.Y. TO 1 C.Y. OR EQUIVALENT. USE OF PEAT MOSS IS PROHIBITED.
 - THE LANDSCAPE CONTRACTOR SHALL GUARANTEE PLANT MATERIALS FOR ONE (1) FULL YEAR FROM DATE OF ACCEPTANCE. REQUEST THE LANDSCAPE ARCHITECT PROVIDE A WRITTEN LETTER OF ACCEPTANCE UPON COMPLETION OF EACH PHASE.
 - PLANT MATERIALS ARE SUBJECT TO THE APPROVAL OF THE LANDSCAPE ARCHITECT, AT THE NURSERY, AND AT THE SITE.
 - LANDSCAPE ARCHITECT TO FLAG TREES TO BE TRANSPLANTED PRIOR TO CONSTRUCTION START.
 - AREAS OF THE SITE WHICH HAVE BEEN DISTURBED AND NOT OTHERWISE DEVELOPED SHALL BE LOAMED WITH TOPSOIL TO A MINIMUM DEPTH OF 6", AND SEEDDED WITH A MIX CONSISTING OF 40% PERENNIAL RYE GRASS; 30% CHEWINGS FESCUE; 30% KENTUCKY BLUEGRASS.
 - SCREENED IMAGES SHOW EXISTING CONDITIONS. WHERE EXISTING CONDITIONS LIE UNDER OR ARE IMPINGED UPON BY PROPOSED BUILDINGS AND/OR SITE ELEMENTS, THE EXISTING CONDITION WILL BE REMOVED, ABANDONED AND/OR CAPPED OR DEMOLISHED AS REQUIRED.
 - THERE SHALL BE NO SUBSTITUTION OF PLANT SPECIES WITHOUT AUTHORIZATION BY THE LANDSCAPE ARCHITECT.
 - NO PLANTING SHALL BE INSTALLED BEFORE ACCEPTANCE OF ROUGH GRADING.
 - PLANTS TO BE THOROUGHLY WATERED AFTER INSTALLATION, AT LEAST TWICE WITHIN THE FIRST 24 HOURS.



2 PLANTING ENLARGEMENT B
L1.2 SCALE: 1/8"=1'-0"



architect:
GSD
GSD Associates, LLC.
148 MAIN STREET
NORTH ANDOVER, MA 01845
Tel: 978-688-5422
www.gsd-associates.com

civil engineer:
The Morin-Cameron GROUP, INC.
CIVIL ENGINEERS | ENVIRONMENTAL CONSULTANTS
68 ELM STREET
DORSET, MA 01923
Tel: 978-777-8866
www.morincameron.com

landscape architect:
RADNER DESIGN ASSOCIATES, INC.
345 CONCORD STREET
SUITE 100
NORTH ANDOVER, MA 01845
Tel: 978-778-6444
www.radnerdesign.com

owner:
THREE BOSTON WAY, LLC
231 BUTTON STREET, SUITE 1B
North Andover, MA 01845
Tel: 978-688-5422

sheet title:
Planting Enlargements

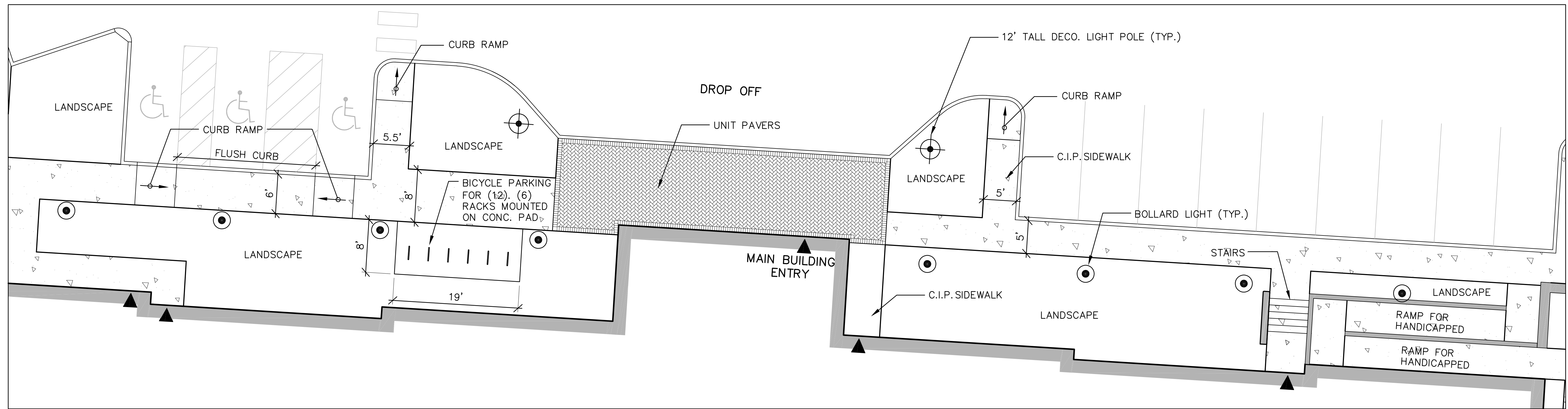
project name:
3 BOSTON WAY
3 BOSTON WAY
NEWBURYPORT, MA

issue date: 10/23/19
revisions:
1 Planning Bid Review 12/11/2019
2 Notice of Intent 12/20/2019
3 Planning Bid Review 01/23/2020
dr: chk.

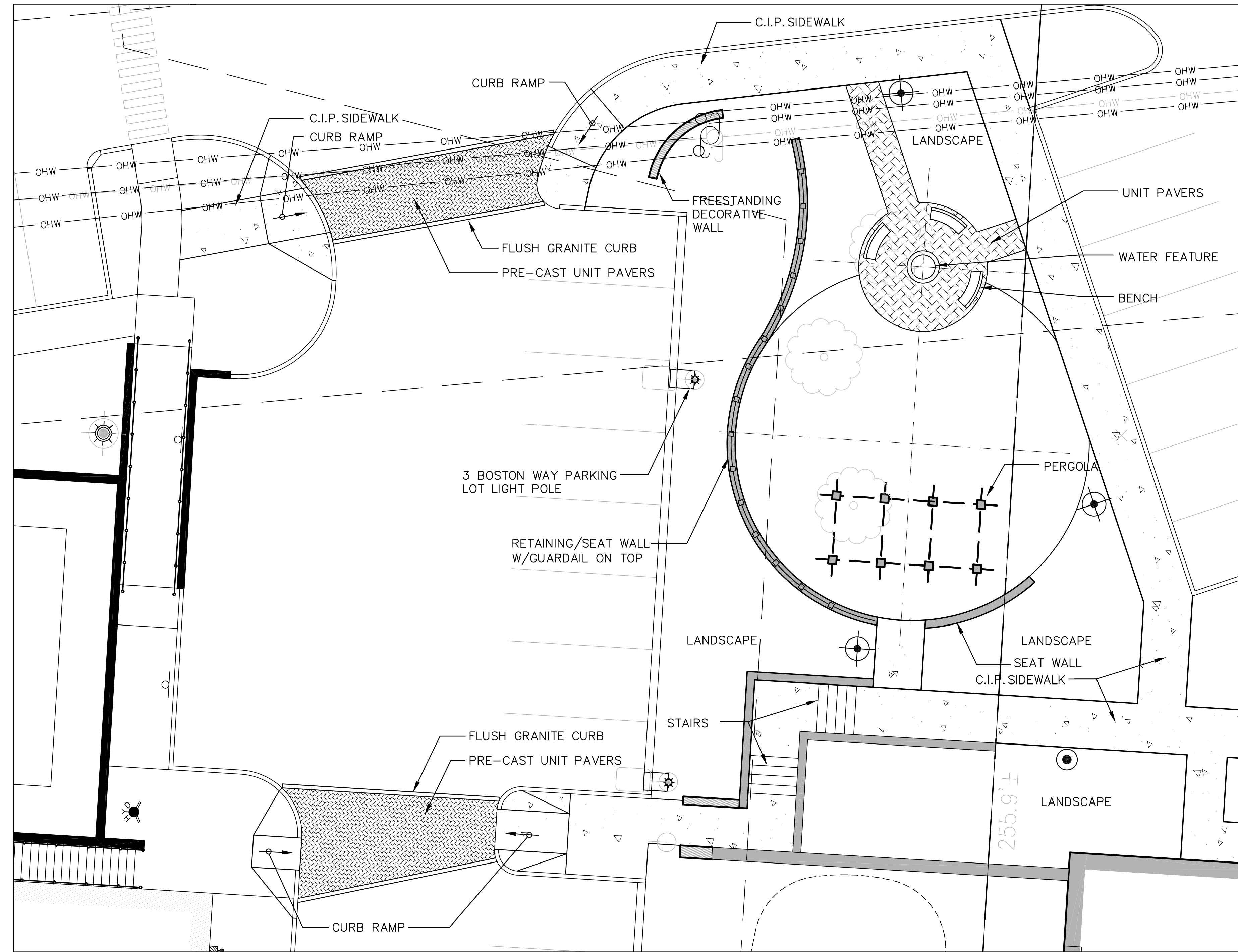
© 2019 Radner Design Associates, Inc. ALL RIGHTS RESERVED. ALL DESIGN, PLANS AND SPECIFICATIONS ARE THE PROPERTY OF RADNER DESIGN ASSOCIATES, INC. RIGHTS OF USE ARE CONDITIONAL AND ARE LIMITED TO A SINGLE USE TO CONSTRUCT OR MAINTAIN THE PROJECT. NO PART OF THIS WORK OR ANY DERIVATIVE WORKS SHALL BE REPRODUCED OR TRANSMITTED IN ANY FORM OR BY ANY MEANS, ELECTRONIC OR MECHANICAL, INCLUDING PHOTOCOPYING, RECORDING, OR BY ANY INFORMATION STORAGE AND RETRIEVAL SYSTEM, WITHOUT THE WRITTEN PERMISSION OF RADNER DESIGN ASSOCIATES, INC. AND THE LANDSCAPE ARCHITECT WHOSE SIGNATURE AND SEAL MAY BE AFFIXED TO THESE DRAWINGS.

job number:
RDA 19-22

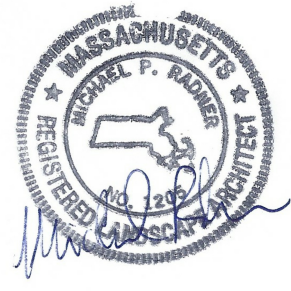
L1.2



1 ENLARGEMENT A
SCALE: 1/8"=1'-0"



2 ENLARGEMENT B
SCALE: 1/8"=1'-0"



architect:

gso
GSD Associates, LLC
146 MAIN STREET
NORTH ANDOVER, MA 01845
Tel: 978-688-5422
www.gsd-assoc.com

civil engineer:

The Morin-Cameron GROUP, INC.
ENGINEERS | ENVIRONMENTAL CONSULTANTS
LAND SURVEYORS | LAND USE PLANNERS
66 ELM STREET
Danvers, MA 01923
Tel: 978-777-8986
www.morincameron.com

landscape architect:

945 CONCORD STREET
SUITE 100
Frammingham, MA 01701
Tel: 508-736-6144
www.radnerdesign.com
Radner Design Associates, Inc.

owner:

THREE BOSTON WAY, LLC
231 SUTTON STREET, SUITE 1B
North Andover, MA 01845
Tel: 978-688-5422

sheet title:

Site Improvements Enlargements

project name:

3 BOSTON WAY
NEWBURYPORT, MA

issue date: 10/23/19

revisions:
Planning Bd Review 12/11/2019
Notice of Intent 12/20/2019
Planning Bd Review 01/23/2020

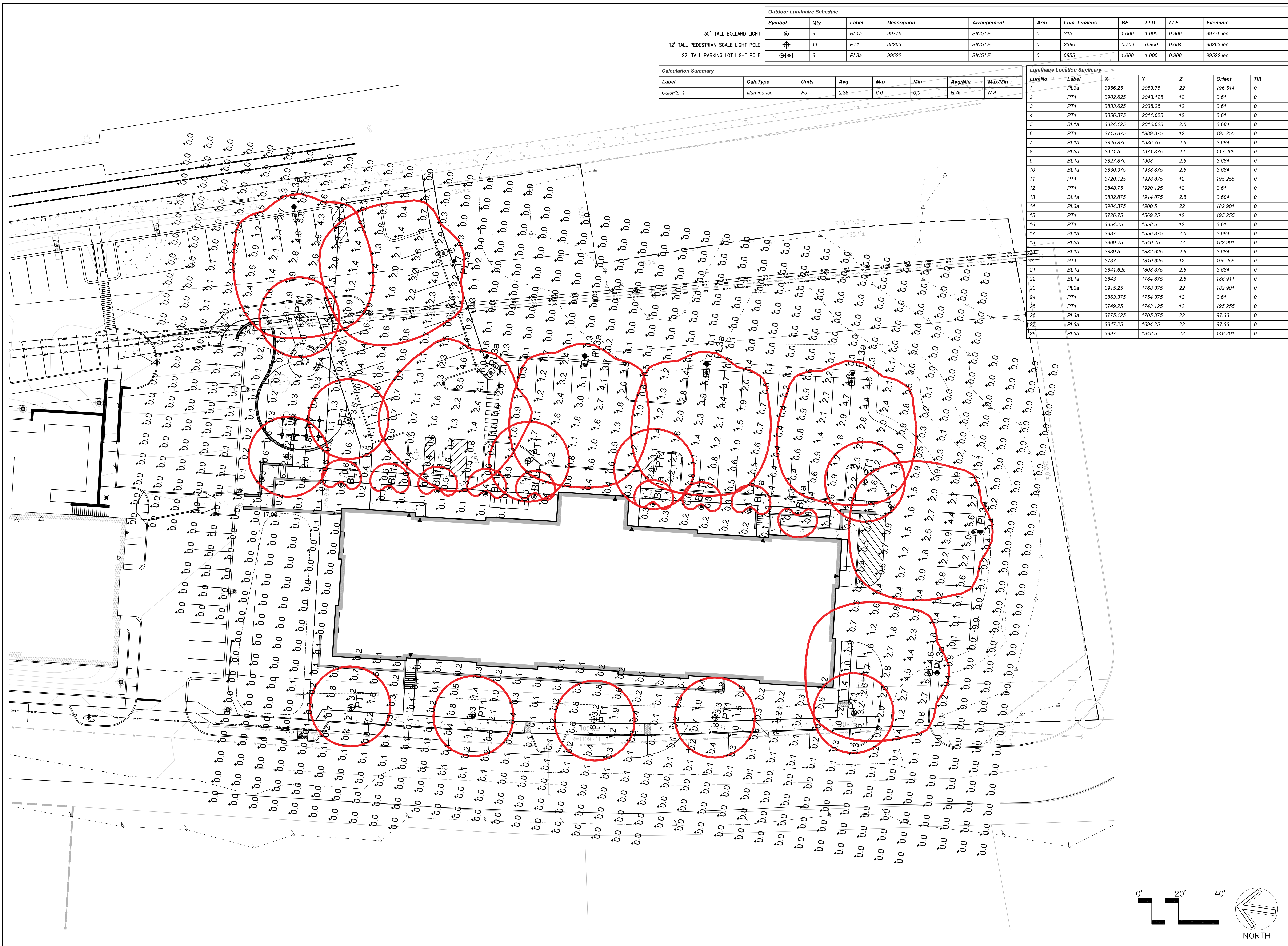
dr. chk.

© 2019 Radner Design Associates, Inc.
ALL RIGHTS RESERVED. ALL IDEAS, DESIGN, PLANS AND SPECIFICATIONS ARE THE PROPERTY OF RADNER DESIGN ASSOCIATES, INC. RIGHTS OF USE ARE CONDITIONAL AND ARE LIMITED TO A ONE-TIME USE TO CONSTRUCT A SINGLE PROJECT ON THE SITE SO INDICATED. USE OF THE WORK AND ANY DERIVATIVE WORK COVERED UNDER THIS AGREEMENT FOR OTHER PROJECTS IS PROHIBITED. STRICTLY PROHIBITED WITHOUT PRIOR WRITTEN PERMISSION OF RADNER DESIGN ASSOCIATES, INC. AND THE LANDSCAPE ARCHITECT WHOSE SIGNATURE AND SEAL MAY BE AFFIXED TO THESE DRAWINGS.

job number:

RDA 19-22

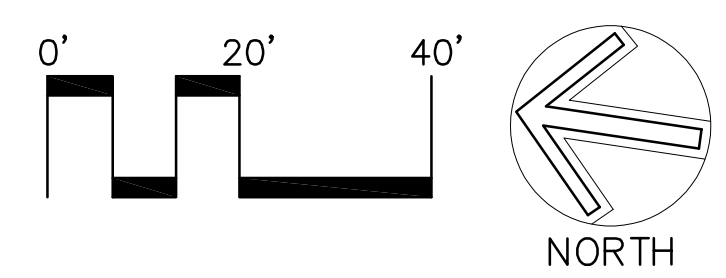
L2.1



| Symbol | Qty | Label | Description | Arrangement | Arm | Lum. Lumens | BF | LLD | LLF | Filename |
|--------|-----|-------|-------------|-------------|-----|-------------|-------|-------|-------|-----------|
| ⊙ | 9 | BL1a | 99776 | SINGLE | 0 | 313 | 1.000 | 1.000 | 0.900 | 99776.ies |
| ⊕ | 11 | PT1 | 88263 | SINGLE | 0 | 2380 | 0.760 | 0.900 | 0.684 | 88263.ies |
| ⊗ | 8 | PL3a | 99522 | SINGLE | 0 | 6855 | 1.000 | 1.000 | 0.900 | 99522.ies |

| Label | CalcType | Units | Avg | Max | Min | Avg/Min | Max/Min |
|-----------|-------------|-------|------|-----|-----|---------|---------|
| CalcPts_1 | Illuminance | Fc | 0.38 | 6.0 | 0.0 | N.A. | N.A. |

| LumNo | Label | X | Y | Z | Orient | Tilt |
|-------|-------|----------|----------|-----|---------|------|
| 1 | PL3a | 3956.25 | 2053.75 | 22 | 196.514 | 0 |
| 2 | PT1 | 3902.625 | 2043.125 | 12 | 3.61 | 0 |
| 3 | PT1 | 3833.625 | 2038.25 | 12 | 3.61 | 0 |
| 4 | PT1 | 3856.375 | 2011.625 | 12 | 3.61 | 0 |
| 5 | BL1a | 3824.125 | 2010.625 | 2.5 | 3.684 | 0 |
| 6 | PT1 | 3715.875 | 1989.875 | 12 | 195.255 | 0 |
| 7 | BL1a | 3825.875 | 1986.75 | 2.5 | 3.684 | 0 |
| 8 | PL3a | 3941.5 | 1971.375 | 22 | 117.265 | 0 |
| 9 | BL1a | 3827.875 | 1963 | 2.5 | 3.684 | 0 |
| 10 | BL1a | 3830.375 | 1938.875 | 2.5 | 3.684 | 0 |
| 11 | PT1 | 3720.125 | 1928.875 | 12 | 195.255 | 0 |
| 12 | PT1 | 3848.75 | 1920.125 | 12 | 3.61 | 0 |
| 13 | BL1a | 3832.875 | 1914.875 | 2.5 | 3.684 | 0 |
| 14 | PL3a | 3904.375 | 1900.5 | 22 | 182.901 | 0 |
| 15 | PT1 | 3726.75 | 1869.25 | 12 | 195.255 | 0 |
| 16 | PT1 | 3854.25 | 1858.5 | 12 | 3.61 | 0 |
| 17 | BL1a | 3837 | 1856.375 | 2.5 | 3.684 | 0 |
| 18 | PL3a | 3909.25 | 1840.25 | 22 | 182.901 | 0 |
| 19 | BL1a | 3839.5 | 1832.625 | 2.5 | 3.684 | 0 |
| 20 | PT1 | 3737 | 1810.625 | 12 | 195.255 | 0 |
| 21 | BL1a | 3841.625 | 1808.375 | 2.5 | 3.684 | 0 |
| 22 | BL1a | 3843 | 1784.875 | 2.5 | 186.911 | 0 |
| 23 | PL3a | 3915.25 | 1768.375 | 22 | 182.901 | 0 |
| 24 | PT1 | 3863.375 | 1754.375 | 12 | 3.61 | 0 |
| 25 | PT1 | 3749.25 | 1743.125 | 12 | 195.255 | 0 |
| 26 | PL3a | 3775.125 | 1705.375 | 22 | 97.33 | 0 |
| 27 | PL3a | 3847.25 | 1694.25 | 22 | 97.33 | 0 |
| 28 | PL3a | 3897 | 1948.5 | 22 | 148.201 | 0 |



project name:
3 BOSTON WAY
3 BOSTON WAY
NEWBURYPORT, MA

sheet title:
Photometric
Lighting Plan

owner:
THREE BOSTON WAY, LLC
231 SUTTON STREET, SUITE 1B
North Andover, MA 01845
Tel: 978-688-5422

landscape architect:
Radner Design
Associates, Inc.
945 CONCORD STREET
SUITE 100
Frammingham, MA 01701
Tel: 508-736-6144

architect:
GSD
GSD Associates, LLC
146 MAIN STREET
NORTH ANDOVER, MA 01845
Tel: 978-688-5422

civil engineer:
The
Morin-Cameron
GROUP, INC.
CIVIL ENGINEERS | ENVIRONMENTAL CONSULTANTS
LAND SURVEYORS | LAND USE PLANNERS
66 ELM STREET
Danvers, MA 01923
Tel: 978-777-9586

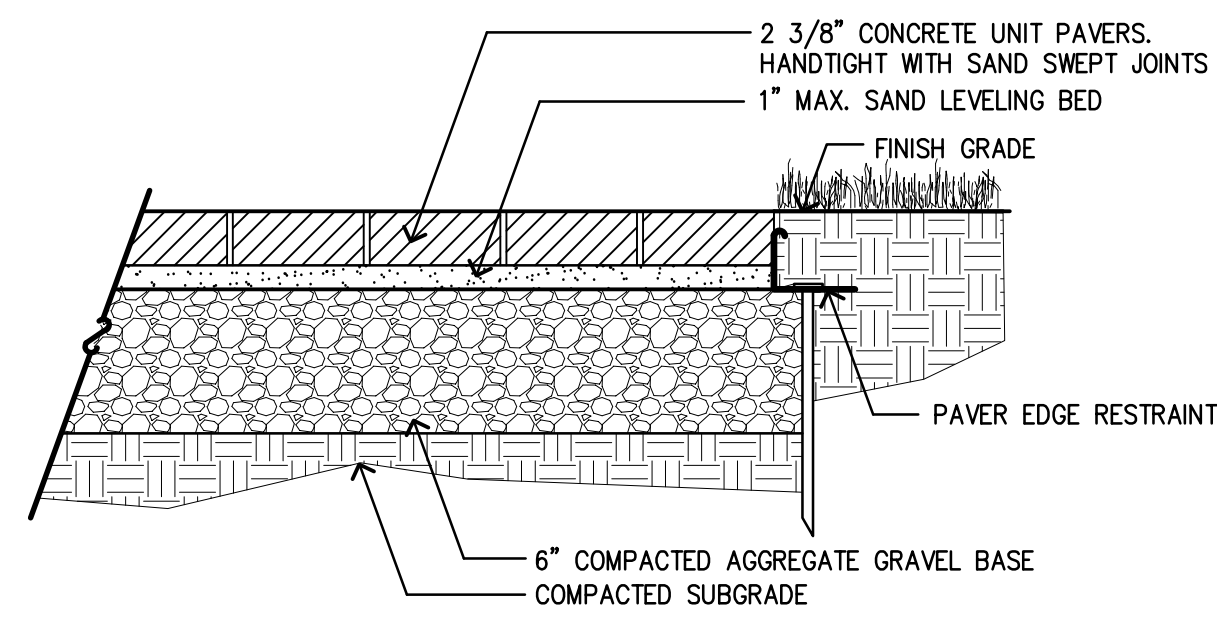
issue date: 10/23/19

revisions:
Planning Bd Review 12/11/2019
Notice of Intent 12/20/2019
Planning Bd Review 01/23/2020

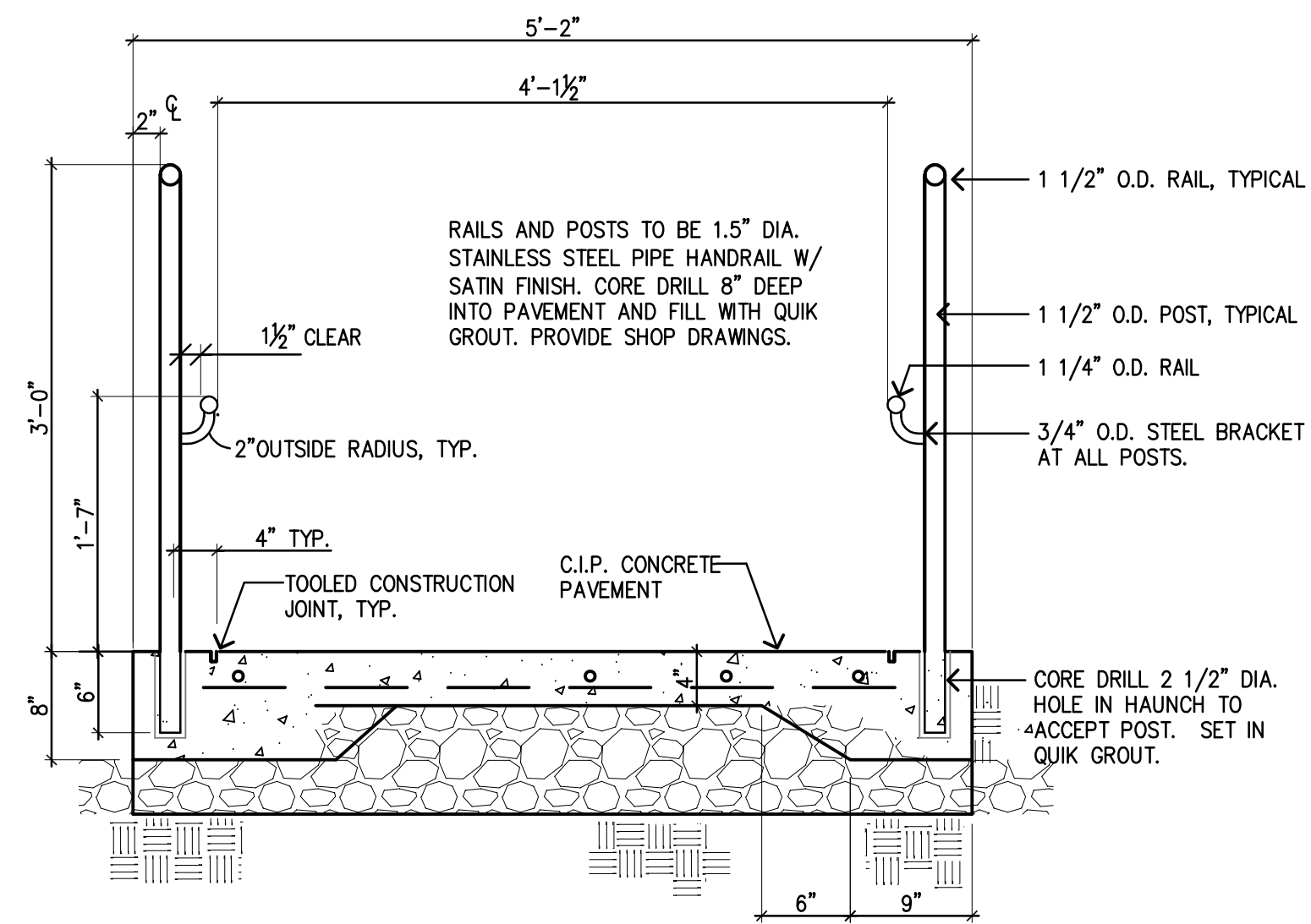
job number:
RDA 19-22

L3.1

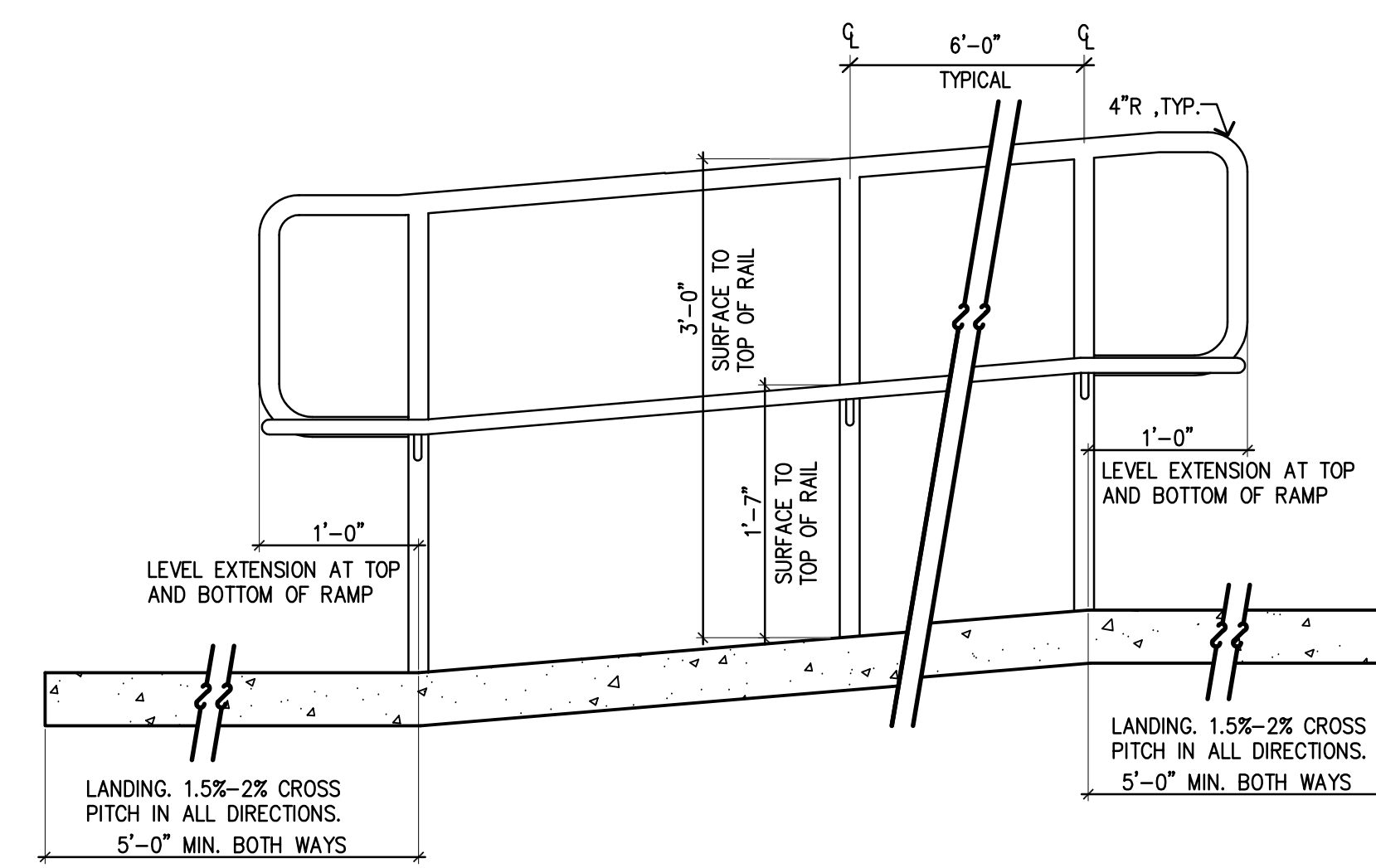
© 2019 Radner Design Associates, Inc. ALL RIGHTS RESERVED. ALL IDEAS, DESIGN, PLANS AND SPECIFICATIONS ARE THE PROPERTY OF RADNER DESIGN ASSOCIATES, INC. REUSE OF ANY PART OF THIS DRAWING FOR ANY OTHER PROJECT OR FOR ANY OTHER CONSTRUCTION OR PERMIT APPLICATION IS STRICTLY PROHIBITED WITHOUT WRITTEN PERMISSION OF RADNER DESIGN ASSOCIATES, INC. AND THE LANDSCAPE ARCHITECT WHOSE SIGNATURE AND SEAL MAY BE APPLIED TO THESE DRAWINGS.



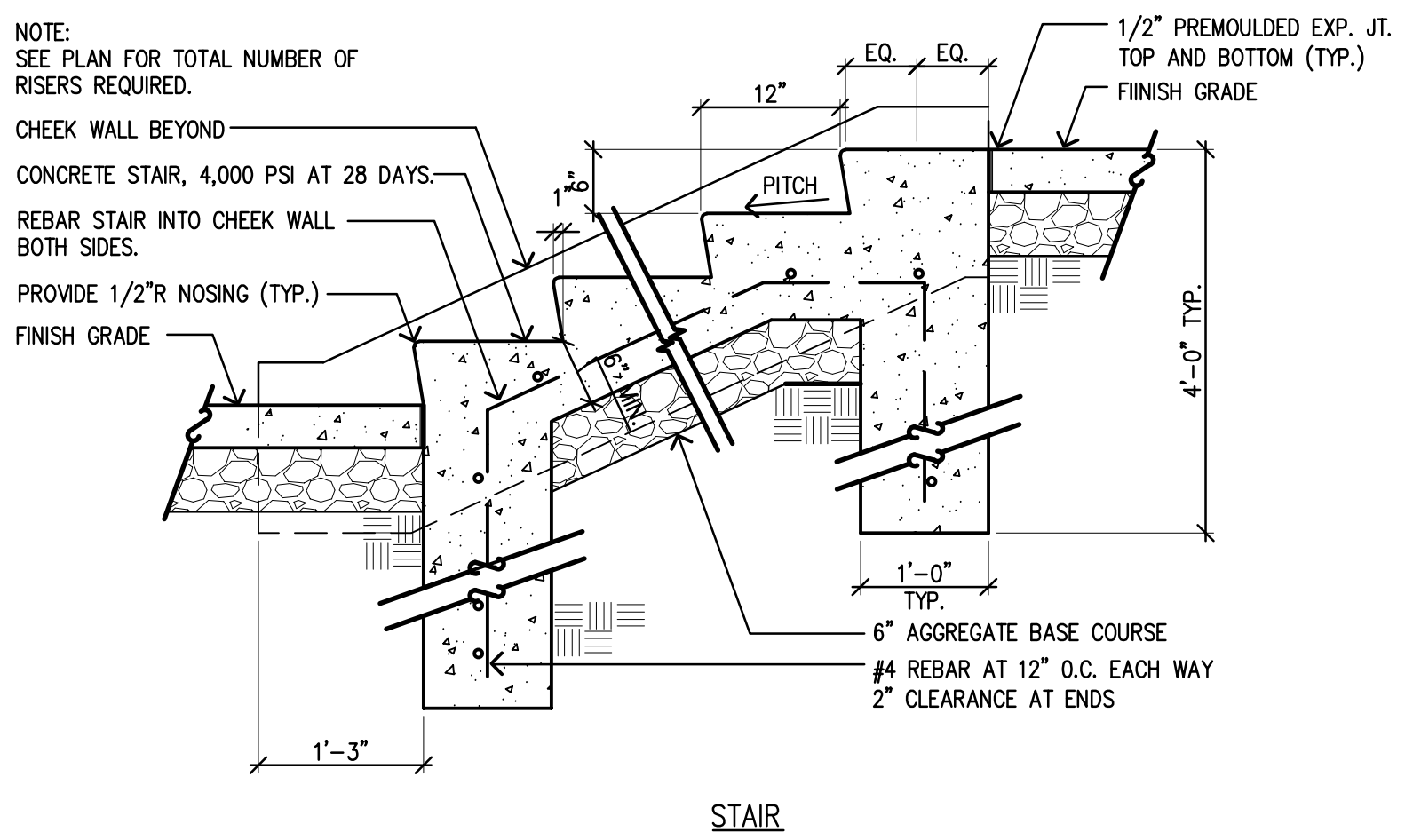
1 UNIT PAVERS
L4.1 SCALE: 1 1/2"=1'-0"



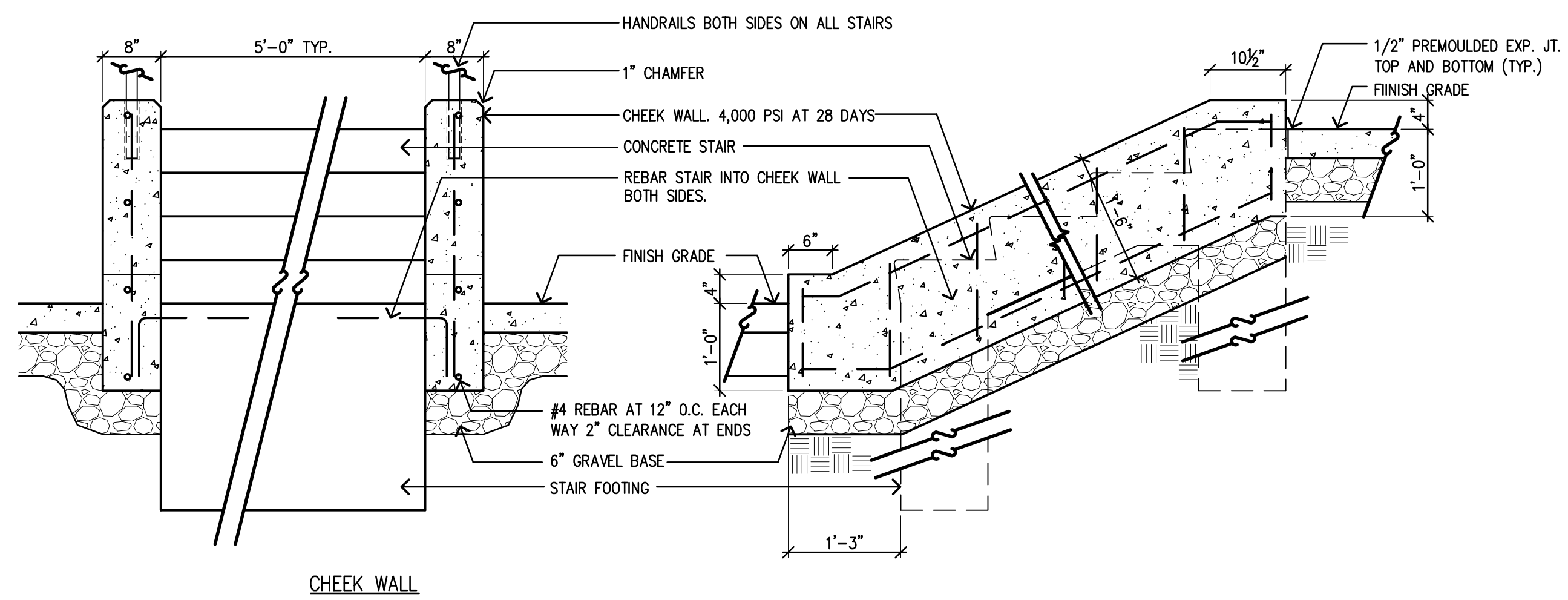
2 RAMP DETAILS
L4.1 SCALE: 1"=1'-0"



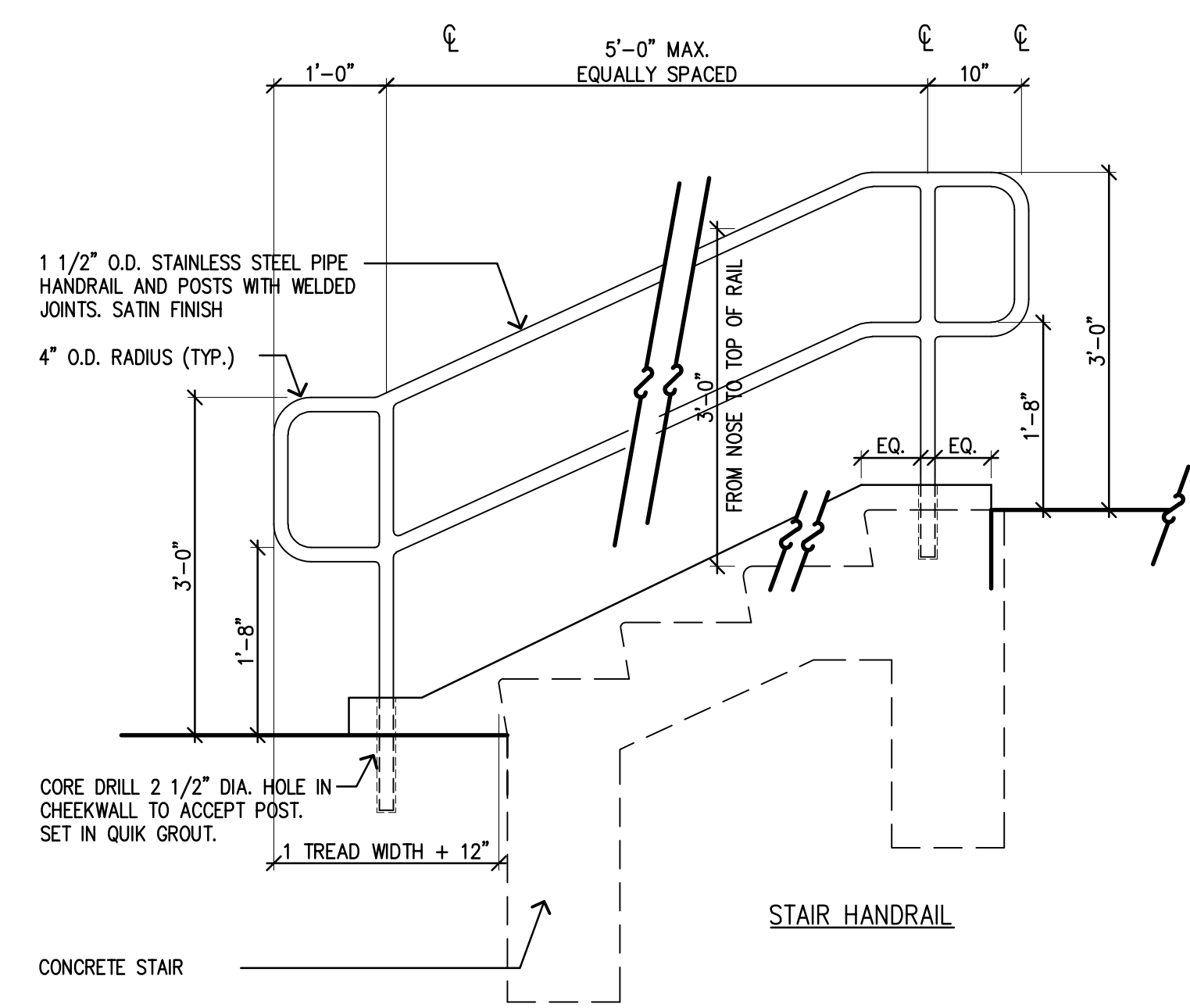
ELEVATION



STAIR

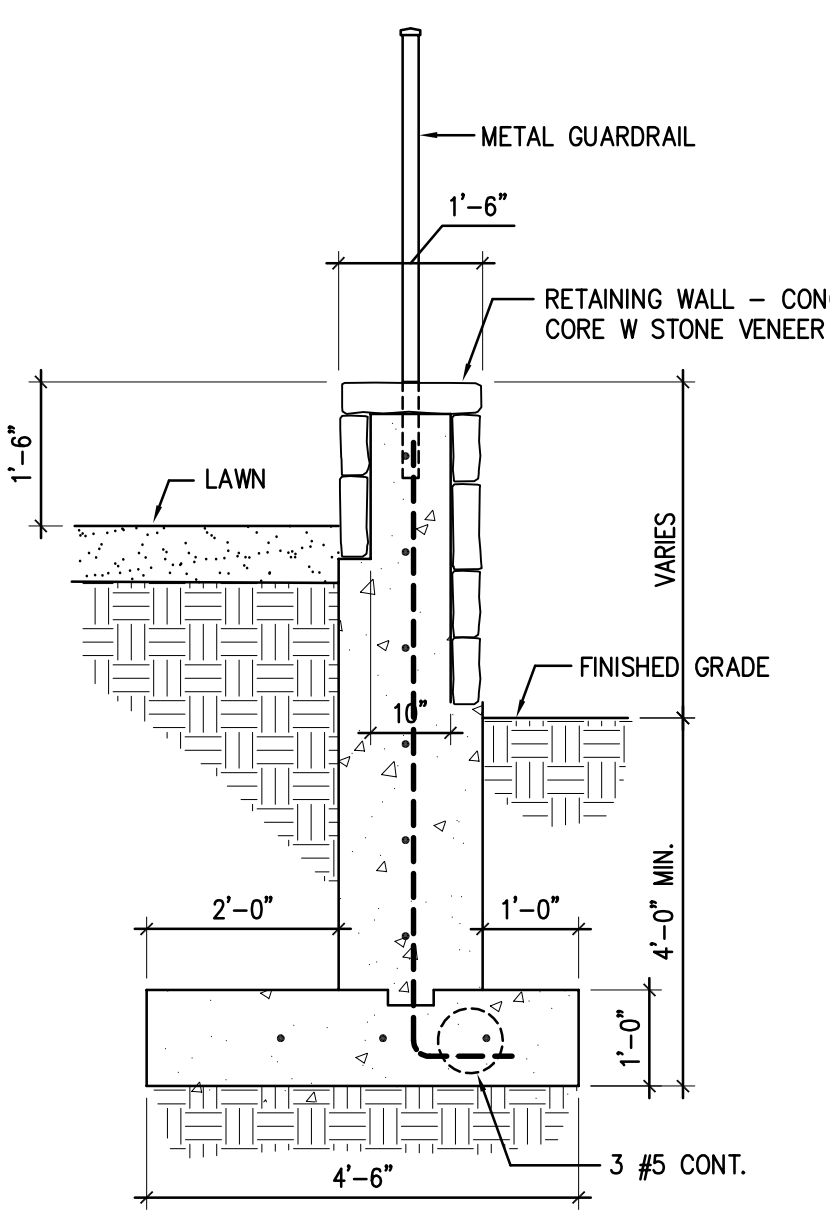


CHEEK WALL

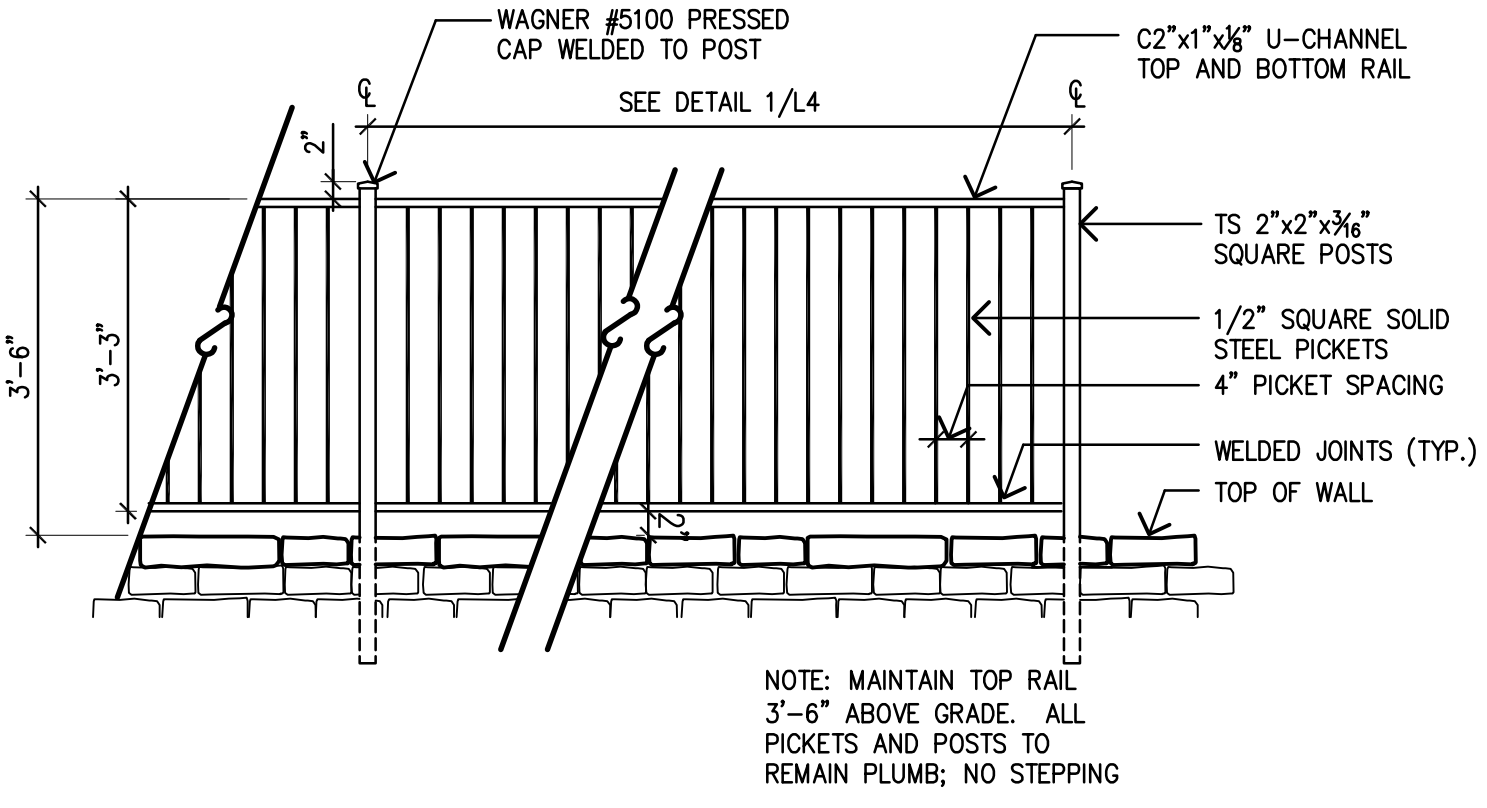


4 STAIR HANDRAIL
L4.1 SCALE: 3/4"=1'-0"

3 STAIR DETAILS
L4.1 SCALE: 3/4"=1'-0"



5 RETAINING WALL
L4.1 SCALE: 1/2"=1'-0"



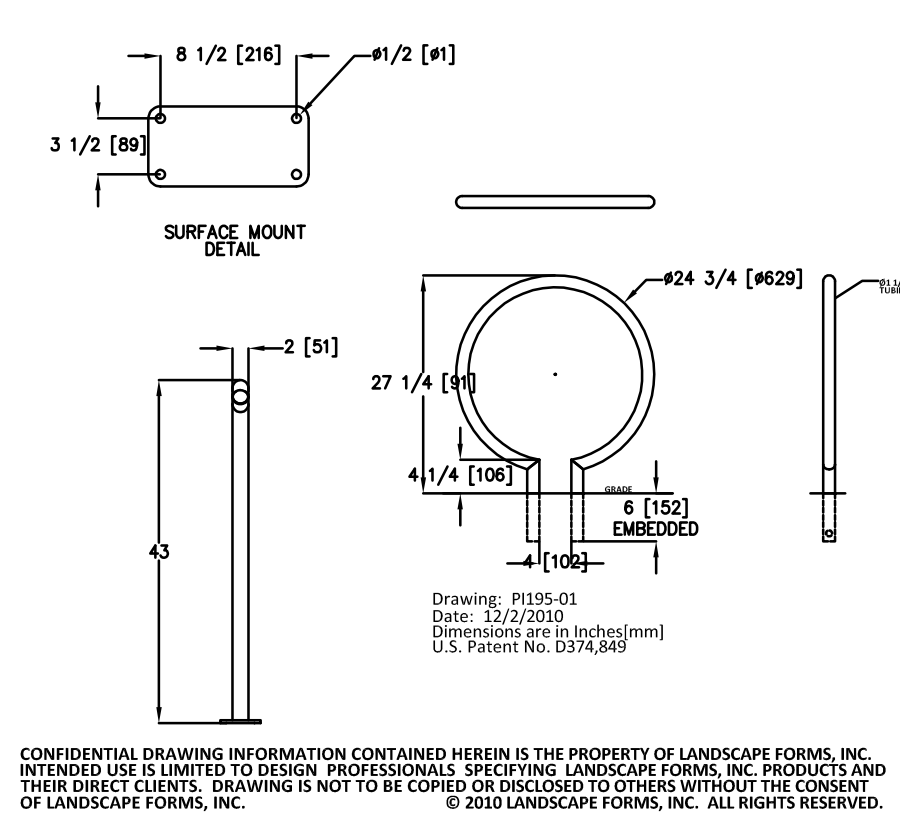
6 METAL GUARDRAIL
L4.1 SCALE: 1/2"=1'-0"



7 WATER FEATURE
L4.1 NO SCALE



8 BICYCLE RACK - 'RING RACK' BY LANDSCAPE FORMS
L4.1 NO SCALE



architect:
gsd
GSD Associates, LLC
146 MAIN STREET
NORTH ANDOVER, MA 01845
Tel: 978-688-5422
www.gsd-assoc.com

civil engineer:
The
Morin-Cameron
GROUP, INC.
CONSULTANTS
LAND SURVEYORS | LAND USE PLANNERS
66 ELM STREET
Danvers, MA 01923
Tel: 978-777-9586
www.morincameron.com

landscape architect:
Radner Design Associates, Inc.
945 CONCORD STREET
SUITE 100
Frammingham, MA 01701
Tel: 508-736-6144
www.radnerdesign.com

owner:
THREE BOSTON WAY, LLC
231 SUTTON STREET, SUITE 1B
North Andover, MA 01845
Tel: 978-688-5422

sheet title:
Site Improvement Details 1

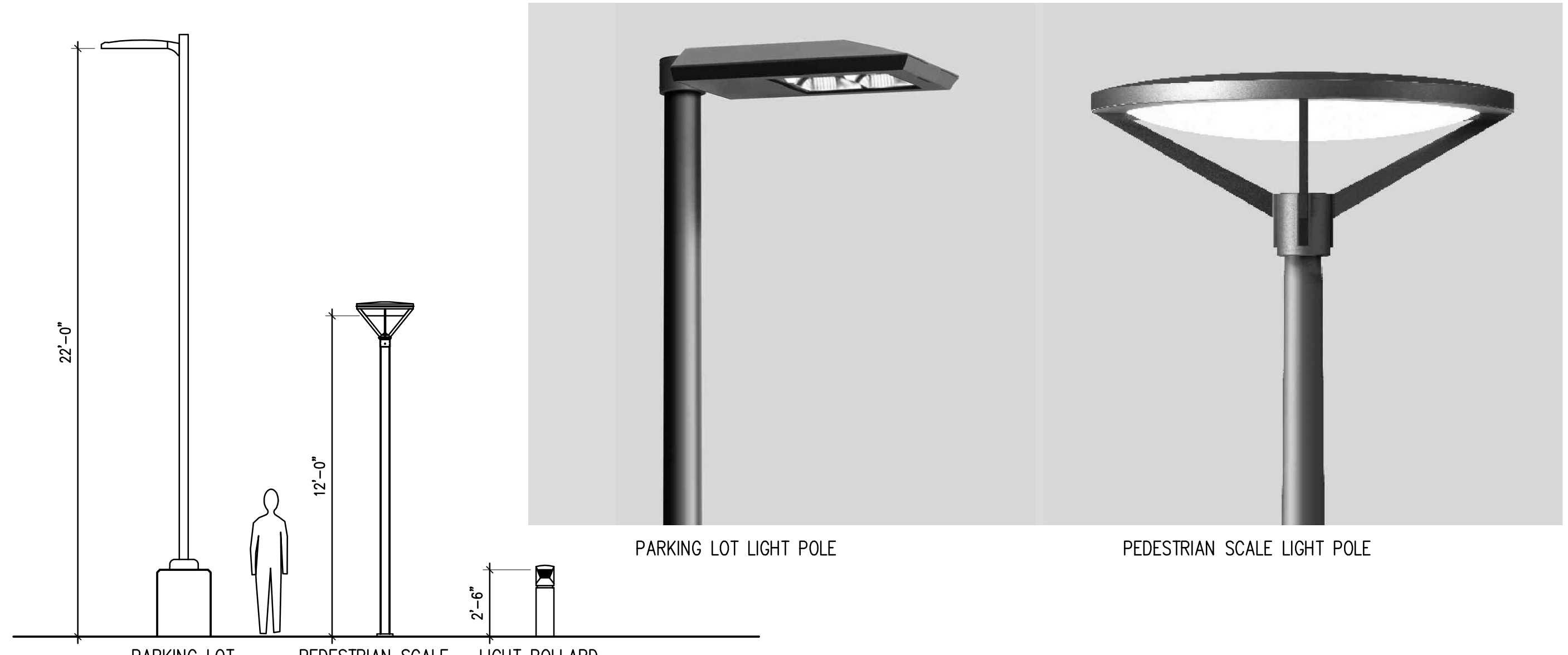
project name:
3 BOSTON WAY
3 BOSTON WAY
NEWBURYPORT, MA

issue date: 10/23/19
revisions:
Planning Bd Review 12/11/2019
Notice of Intent 12/20/2019
Planning Bd Review 01/23/2020
dr. chk.

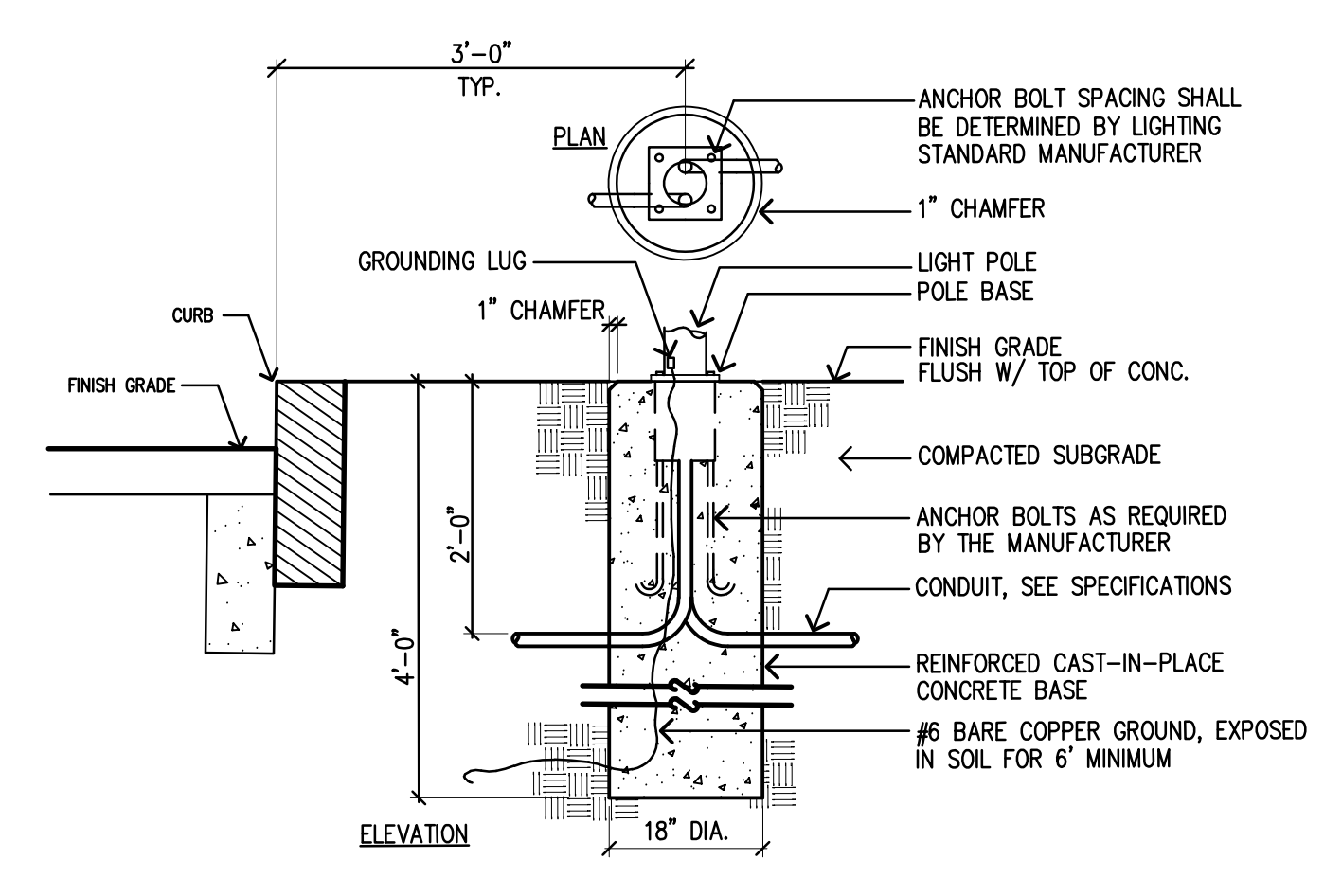
© 2019 Radner Design Associates, Inc.
ALL RIGHTS RESERVED. ALL DESIGN, PLANS AND SPECIFICATIONS ARE THE PROPERTY OF RADNER DESIGN ASSOCIATES, INC. RIGHTS OF USE ARE CONFIDENTIAL AND ARE LIMITED TO A ONE-TIME USE TO CONSTRUCT A SINGLE PROJECT ON THE SITE SO INDICATED. USE OF THE DESIGN OR REPRODUCTION THEREOF FOR ANY OTHER CONSTRUCTION OR PERMIT APPLICATION IS STRICTLY PROHIBITED WITHOUT THE WRITTEN PERMISSION OF RADNER DESIGN ASSOCIATES, INC. AND THE LANDSCAPE ARCHITECT WHOSE SIGNATURE AND SEAL MAY BE APPLIED TO THESE DRAWINGS.

job number:
RDA 19-22

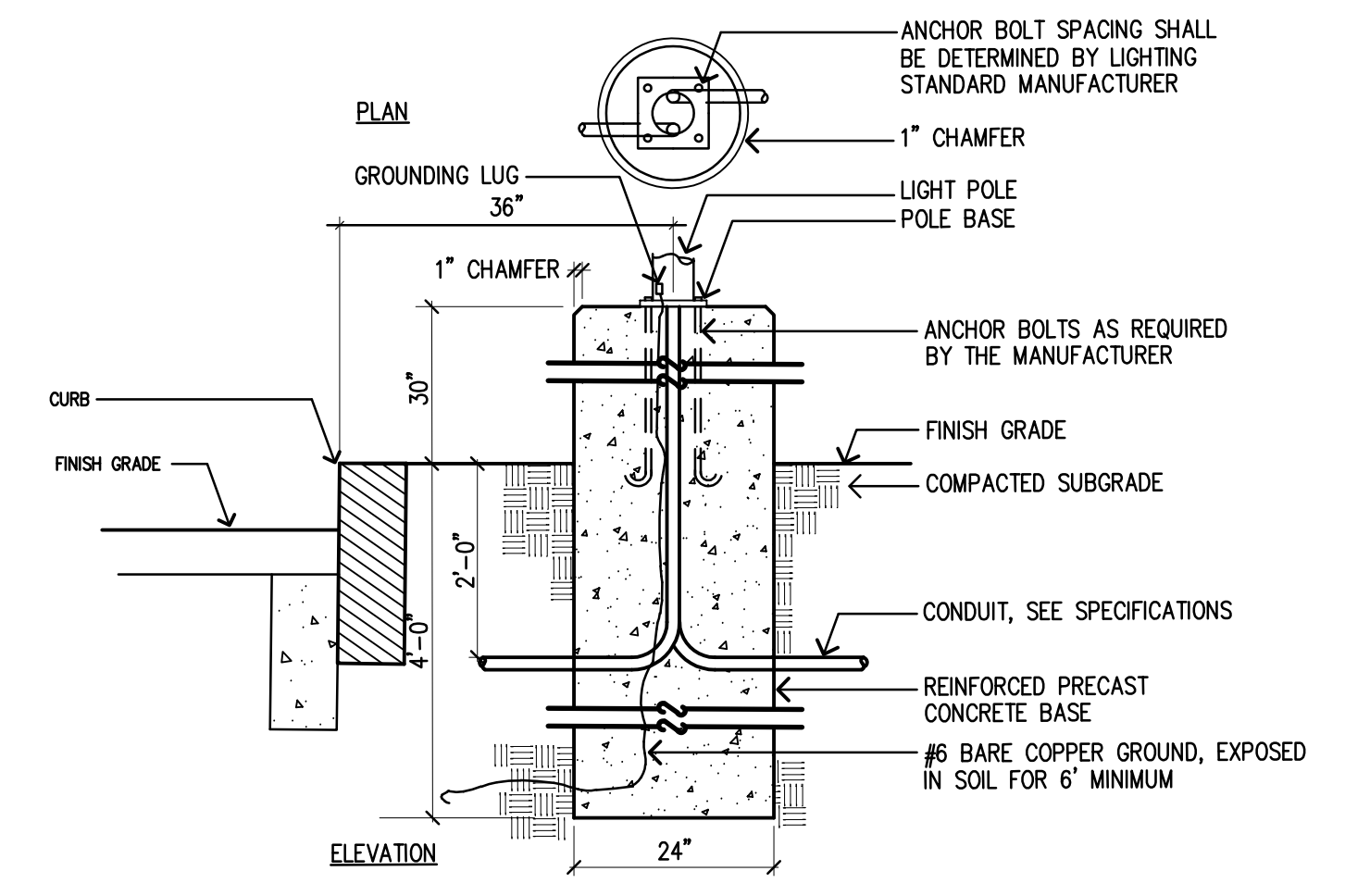
L4.1



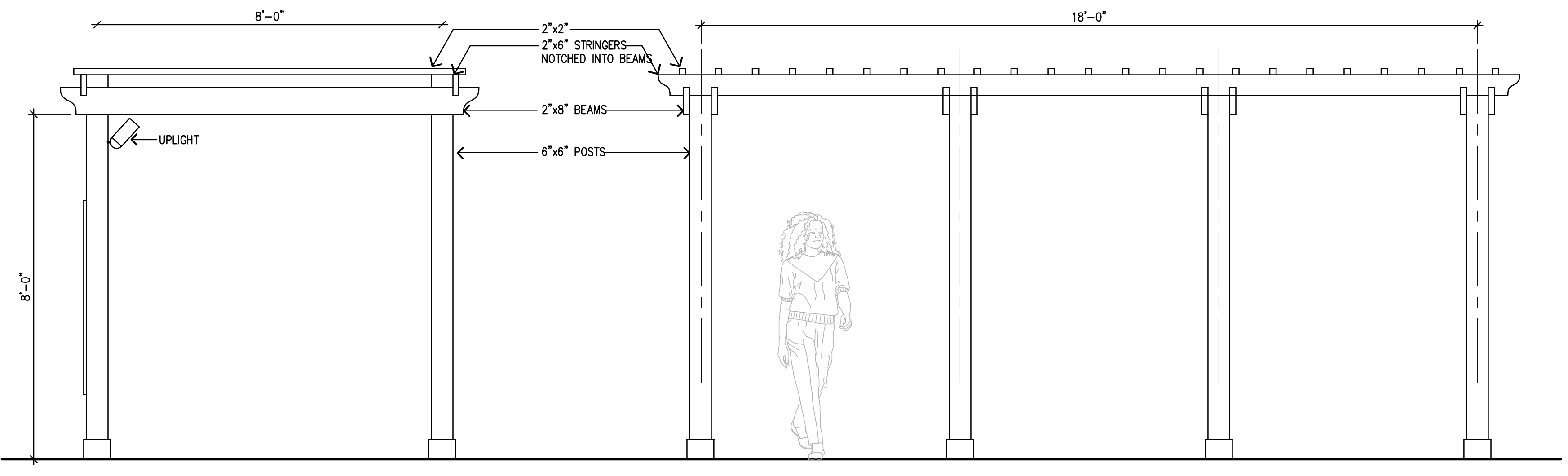
1 LIGHT POLE ELEVATIONS
 SCALE: 1/4"=1'-0"



2 LIGHT POLE BASE - PEDESTRIAN SCALE POLE
 SCALE: 3/4"=1'-0"



3 LIGHT POLE BASE - PARKING LOT POLE
 SCALE: 3/4"=1'-0"

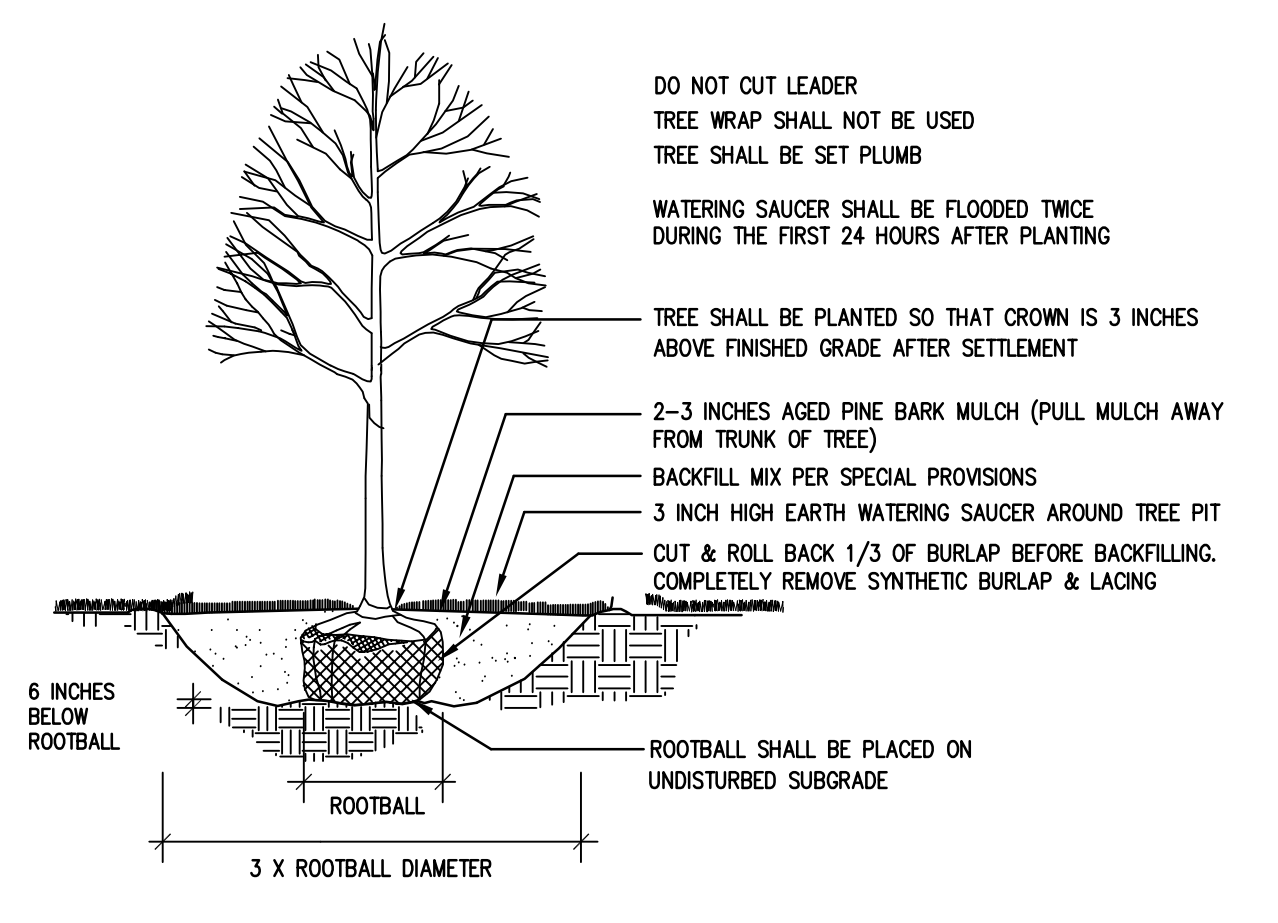


4 PERGOLA ELEVATION
 SCALE: 1/4"=1'-0"

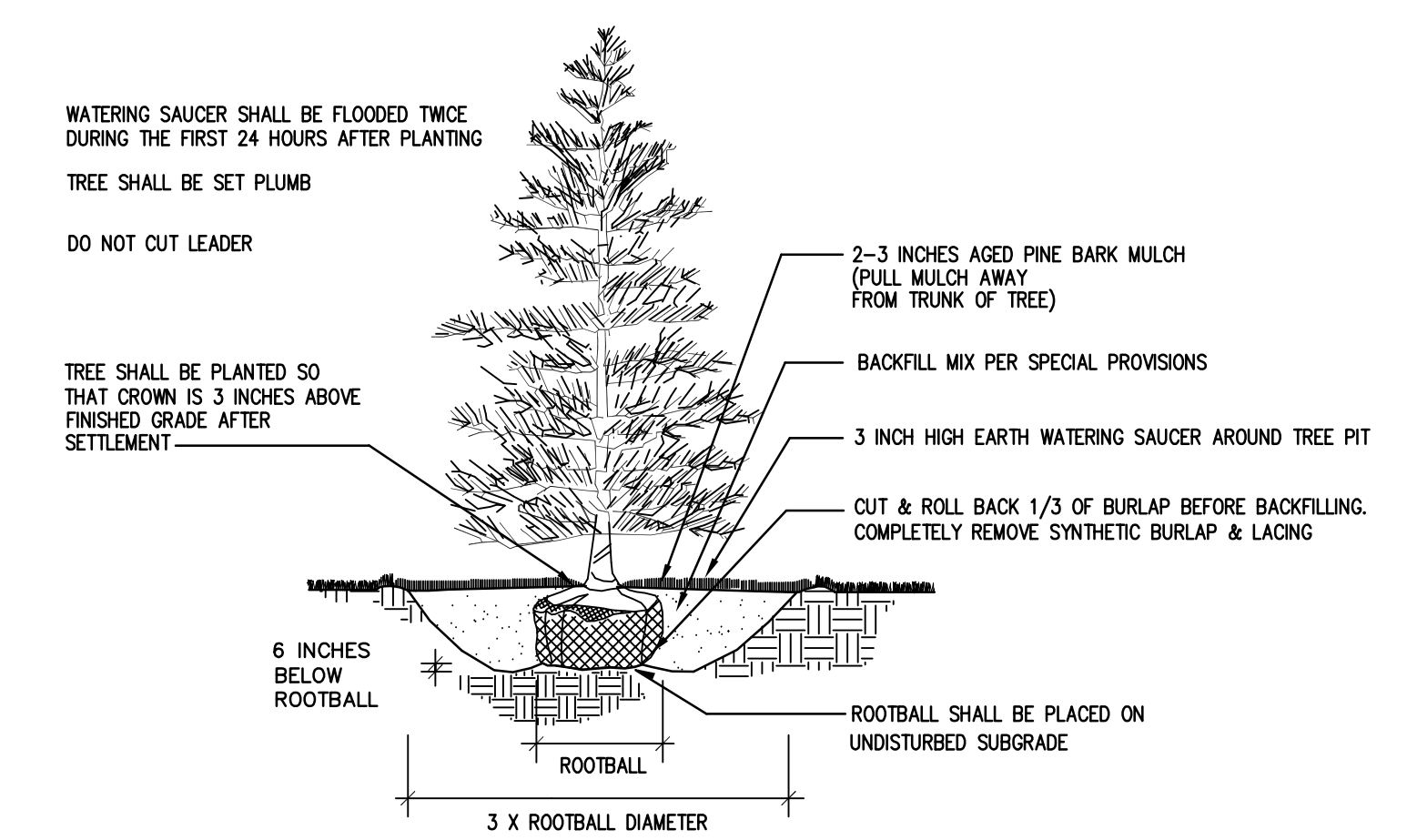


5 BENCH IMAGE
 NO SCALE

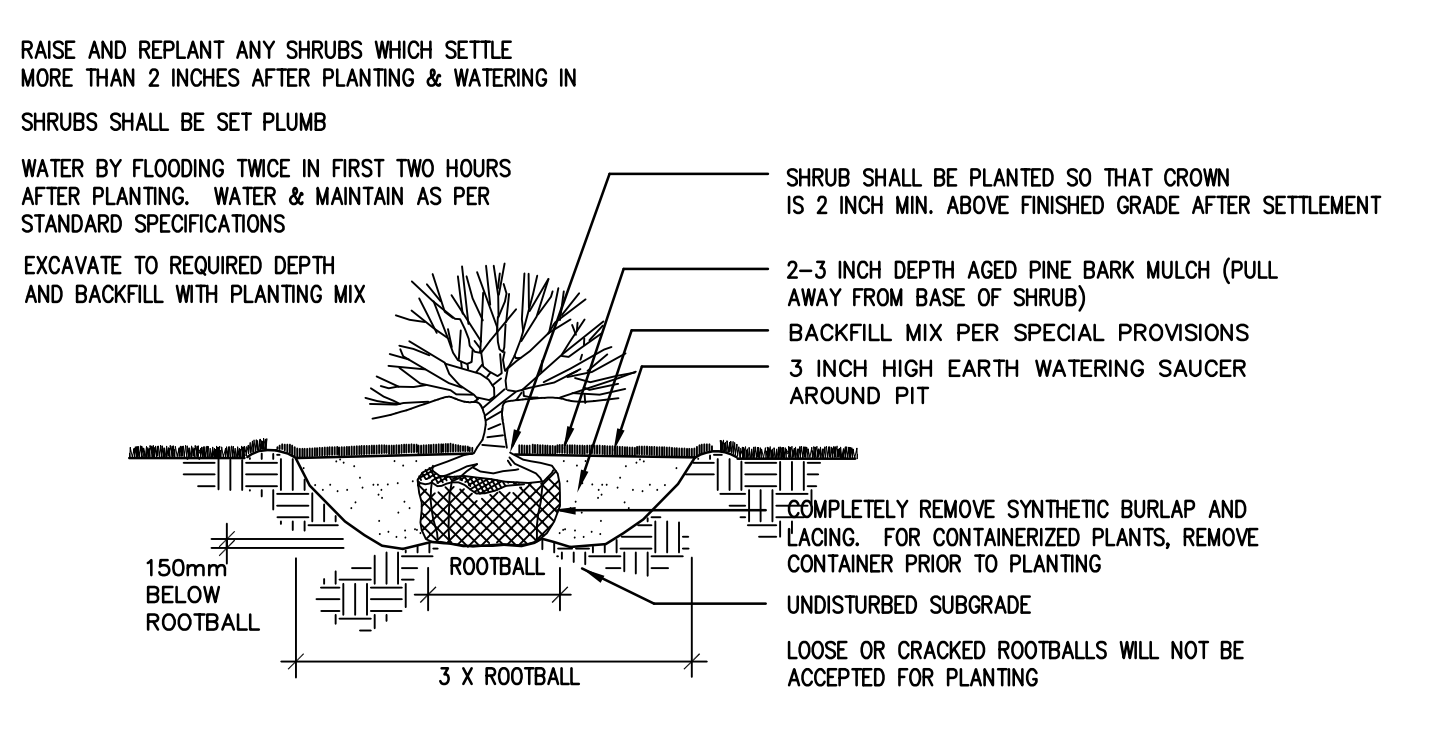
6 INTENTIONALLY BLANK
 NO SCALE



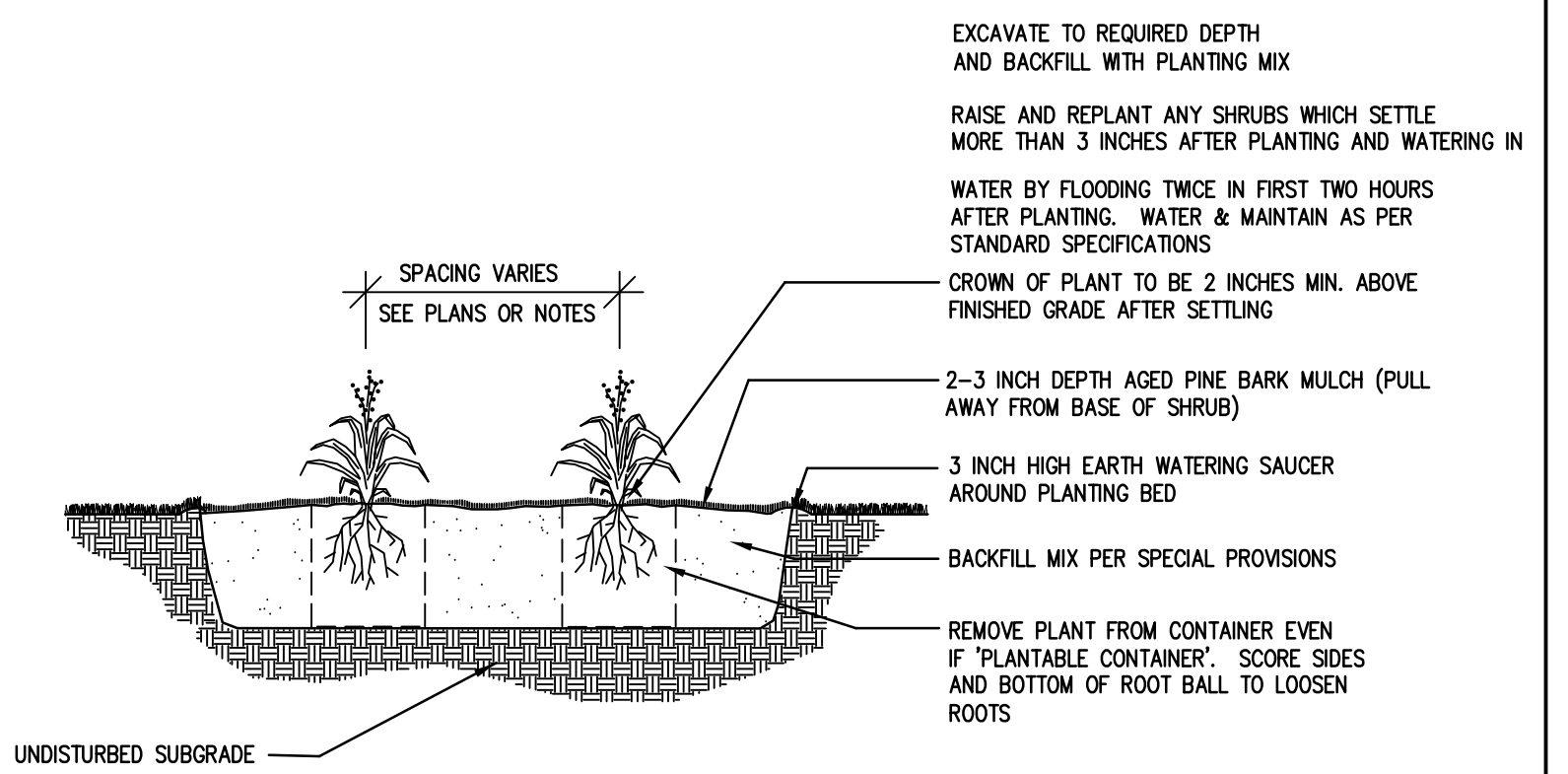
7 DECIDUOUS TREE PLANTING
 NOT TO SCALE



8 EVERGREEN TREE PLANTING
 NOT TO SCALE



9 SHRUB PLANTING
 NOT TO SCALE



10 PERENNIAL PLANTING
 NOT TO SCALE



architect:
gsd
 GSD Associates, LLC
 146 MAIN STREET
 NORTH ANDOVER, MA 01845
 Tel: 978-688-5422
 www.gsd-assoc.com

civil engineer:
The Morin-Cameron GROUP, INC.
 CIVIL ENGINEERS | ENVIRONMENTAL CONSULTANTS
 LAND SURVEYORS | LAND USE PLANNERS
 66 ELM STREET
 DANVERS, MA 01923
 Tel: 978-777-8986
 www.morincameron.com

landscape architect:
Radner Design Associates, Inc.
 945 CONCORD STREET
 SUITE 100
 FRAMMINGHAM, MA 01701
 Tel: 508-736-6144
 www.radnerdesign.com

owner:
 THREE BOSTON WAY, LLC
 231 SUTTON STREET, SUITE 1B
 North Andover, MA 01845
 Tel: 978-688-5422

sheet title:
 Site Improvement Details 2

project name:
 3 BOSTON WAY
 3 BOSTON WAY
 NEWBURYPORT, MA

issue date: 10/23/19
revisions:
 Planning Bd Review 12/11/2019
 Notice of Intent 12/20/2019
 Planning Bd Review 01/23/2020
 dr. chk.

© 2019 Radner Design Associates, Inc. ALL RIGHTS RESERVED. ALL BASIC DESIGN PLANS AND SPECIFICATIONS ARE THE PROPERTY OF RADNER DESIGN ASSOCIATES, INC. RIGHTS OF USE ARE CONDITIONAL AND ARE LIMITED TO A ONE-TIME USE TO CONSTRUCT A SINGLE PROJECT ON THE SITE SO INDICATED. USE OF THE WORK OR ANY DERIVATIVE WORK COVERED UNDER THIS COPYRIGHT FOR OTHER PROJECTS IS PROHIBITED WITHOUT THE WRITTEN PERMISSION OF RADNER DESIGN ASSOCIATES, INC. AND THE LANDSCAPE ARCHITECT WHOSE SIGNATURE AND SEAL MAY BE APPLIED TO THESE DRAWINGS.

job number:
 RDA 19-22

L4.2