

**LIGHTING NOTES:**

1. THE SOLE PURPOSE OF THIS PLAN IS TO DEPICT THE PHOTOMETRICS OF THE PROPOSED BOLLARD LIGHTS ALONG THE PROPOSED SOUTHERN WALKWAY.
2. LIGHT SELECTION AND DETAIL PROVIDED BY THE ARCHITECT.
3. EXISTING POLE LIGHTS WITHIN THE EXISTING PARKING LOT SHALL REMAIN AS NOTED. ONE NEW POLE LIGHT IS PROPOSED AT THE ENTRY OF THE ADDITION AND SHALL MATCH THE EXISTING LIGHTING IN THE PARKING LOT. POLE LIGHT TO BE DETERMINED BY ARCHITECT.
4. RECESSED LIGHTING TO BE MOUNTED AT 4' HEIGHT UNLESS OTHERWISE SPECIFIED ON THE PLAN.

**PROPOSED LIGHTING LEGEND**

- EXISTING POLE LIGHT
- PROPOSED POLE LIGHT
- PROPOSED RECESSED LIGHT
- PROPOSED 2 FC CONTOUR
- PROPOSED 1 FC CONTOUR
- PROPOSED 0.5 FC CONTOUR
- PROPOSED 0.25 FC CONTOUR
- FC
- PROPOSED FOOTCANDLE

**PATHLIGHTS  
DOUBLE IMPACT**

Low glare path lights lead the way through the out of doors, as built-ins or from freestanding bollards.

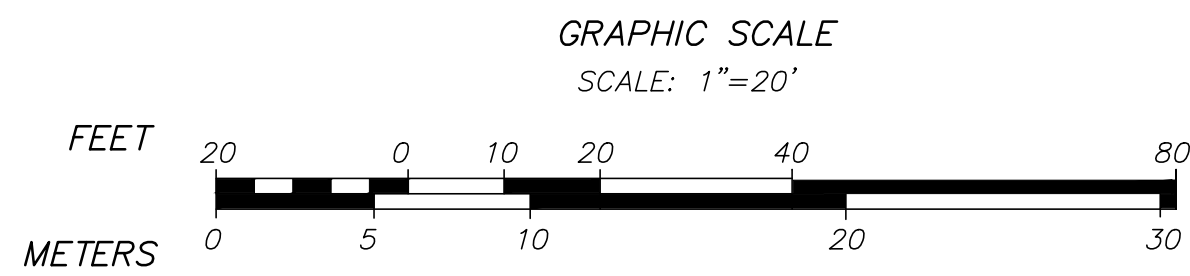
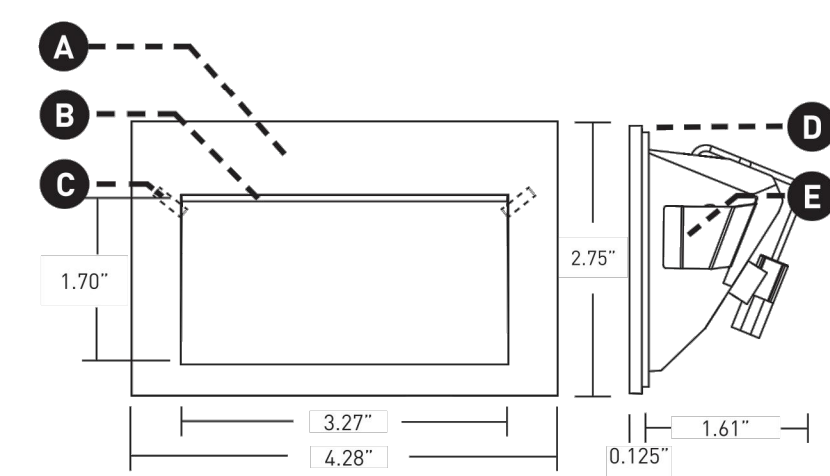
PROJECT NAME: \_\_\_\_\_ TYPE: \_\_\_\_\_



**ORDERING INFORMATION AND DRAWINGS - FIXTURE**

FIXTURE	RATING	POWDERCOAT FINISH	NATURAL FINISH	PLATED FINISH	LUMEN PACKAGE	CCT
ISL2 Double Impact Sleightlight	1 Dry (Damp Non-Locking) 2 Wet (Locking)	WH White BK Black AS Silver AB Architectural Bronze CF Custom Finish* *Visual Factory	IG Industrial Gray BS Brushed Stainless Steel SB Brushed Bronze NB Natural Bronze	CH Chrome** **Electrocoat PB Polished Oil-Rubbed Bronze** **www.luciferlighting.com available for wet location HB Matte Oil-Rubbed Bronze** **www.luciferlighting.com available for wet location	BOLLARD 80-CRI, 400 Source Lumens ISL2 Delivered Lumens - 150	27 2700K 30 3000K 35 3500K 40 4000K 50 Custom Color (pp)* *Color Temp. **Custom color available subject to availability of color. Contact Product Support for pricing.

- **LED** Regressed LED with slot aperture for glare-free, energy-efficient path and step lighting; suitable for dry / damp or wet applications. 4.5W DC LED (trimming by power supply).
  - **EFFECTS DEVICES** Provided with sealed polycarbonate linear diffusion lens; consult factory for availability of color gels, which may achieve custom color temperatures.
  - **LOCKING** Discreetly hidden tamper-resistant set screws. Included with IP65 Wet location luminaire.
  - **GASKET** Foam gasket provided. Required for IP65 wet location applications only.
  - **RETENTION** Tension spring clips secure fixture into back box, mounting plate, or appropriately sized cut-out.
- Available with Bollard mounting, please visit WEBSITE for additional information.
  - Stealth SSL1 and Impact ISL1 pathlights available, please visit WEBSITE for additional information.



**RECORD OWNER:**

INSTITUTION FOR SAVINGS IN  
NEWBURYPORT AND ITS VICINITY  
93 STATE STREET  
NEWBURYPORT, MASSACHUSETTS 01950

**LUCIFER**  
LIGHTING COMPANY  
(DATE OF REV: 100191)

luciferlighting.com

©2019 Lucifer Lighting Company  
As part of its policy of continuous research and product development, the company reserves the right to change or withdraw specifications without prior notice.

[PH] 1-210-227-7329 pg. 1  
[FAX] 1-210-227-4967

**MERIDIAN ASSOCIATES**  
500 CUMMINGS CENTER, SUITE 5950  
BEVERLY, MASSACHUSETTS 01915  
TELEPHONE: (978) 299-0447  
WWW.MERIDIANASSOC.COM

**93 STATE STREET  
BOLLARD PHOTOMETRIC PLAN**  
LOCATED IN  
**NEWBURYPORT, MASSACHUSETTS**  
(ESSEX COUNTY)  
PREPARED FOR  
**INSTITUTION FOR SAVINGS**

DATE:  
JANUARY 8, 2020  
SCALE:  
1" = 20'  
SHEET No.  
**1 OF 1**  
PROJECT No.  
**6215**

(XREF: 6215\_REC/6215\_SITE)  
DWG. No. 6215\_PHOTOMETRIC.DWG

REVISIONS	DATE	DESCRIPTION
	05/20/20	REVISED SUBMISSION
	02/06/20	ADD RECESSED LIGHTING
		AF
		BY