

LIGHTING NOTES:

1. THE SOLE PURPOSE OF THIS PLAN IS TO DEPICT THE PHOTOMETRICS OF THE PROPOSED BOLLARD LIGHTS ALONG THE PROPOSED SOUTHERN WALKWAY.
2. LIGHT SELECTION AND DETAIL PROVIDED BY THE ARCHITECT.
3. EXISTING POLE LIGHTS WITHIN THE EXISTING PARKING LOT SHALL REMAIN AS NOTED. ONE NEW POLE LIGHT IS PROPOSED AT THE ENTRY OF THE ADDITION AND SHALL MATCH THE EXISTING LIGHTING IN THE PARKING LOT. POLE LIGHT TO BE DETERMINED BY ARCHITECT.
4. RECESSED LIGHTING TO BE MOUNTED AT 4' HEIGHT UNLESS OTHERWISE SPECIFIED ON THE PLAN.

PROPOSED LIGHTING LEGEND

- EXISTING POLE LIGHT
- PROPOSED RECESSED LIGHT
- PROPOSED 2 FC CONTOUR
- PROPOSED 1 FC CONTOUR
- PROPOSED 0.5 FC CONTOUR
- PROPOSED 0.25 FC CONTOUR
- FC
- PROPOSED FOOTCANDLE

**PATHLIGHTS
DOUBLE IMPACT**

Low glare path lights lead the way through the out of doors, as built-ins or from freestanding bollards.

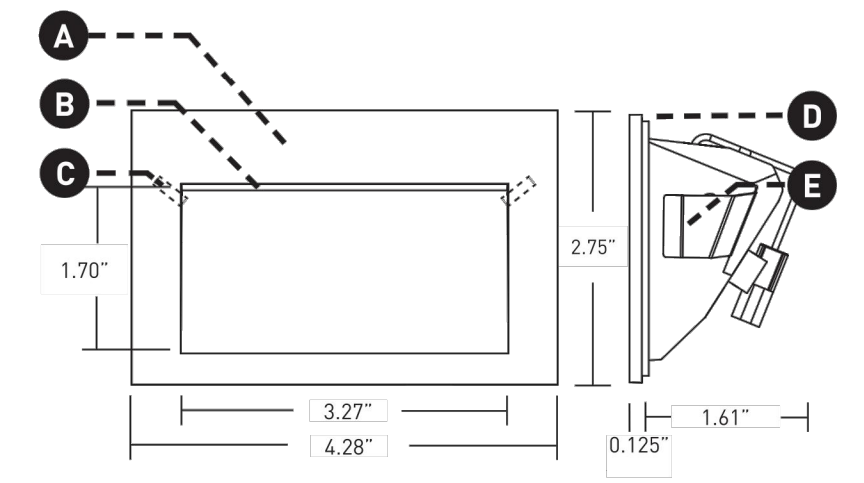
PROJECT NAME: _____ TYPE: _____



ORDERING INFORMATION AND DRAWINGS - FIXTURE

FIXTURE	RATING	POWDER COAT FINISH	NATURAL FINISH	PLATED FINISH	LUMEN PACKAGE	CCT
ISL2 Double Impact Sleightlight	1 Dry / Damp (Non-Locking)	WH White	IG Industrial Gray	CH Chrome	BOLLARD 80-CRI, 400 Source Lumens SL2 Delivered Lumens - 150	DT 2700K
	2 Wet / Locking	SK Black	SS Brushed Stainless Steel	BR Brushed Bronze		DT 3000K
		SA Satin Silver	SB Brushed Bronze	BR Polished Oil-Rubbed Bronze	AL 4000K	CC Custom Color (ppm)
		AB Architectural Bronze	NB Natural Bronze	HD Matte Oil-Rubbed Bronze		CT Color Temp
		CF Custom Finish* (Various Finishes)		HS Matte Oil-Rubbed Bronze		*Custom color available on select products (subject to availability)

- A LED** Regressed LED with slot aperture for glare-free, energy-efficient path and step lighting; suitable for dry / damp or wet applications. 4.5W DC LED (trimming by power supply).
- B EFFECTS DEVICES** Provided with sealed polycarbonate linear diffusion lens; consult factory for availability of color gels, which may achieve custom color temperatures.
- C LOCKING** Discretely hidden tamper-resistant set screws. Included with IP65 Wet location luminaire.
- D GASKET** Foam gasket provided. Required for IP65 wet location applications only.
- E RETENTION** Tension spring clips secure fixture into back box, mounting plate, or appropriately sized cut-out.



- Available with Bollard mounting, please visit WEBSITE for additional information.
- Stealth SSL1 and Impact ISL1 pathlights available, please visit WEBSITE for additional information.

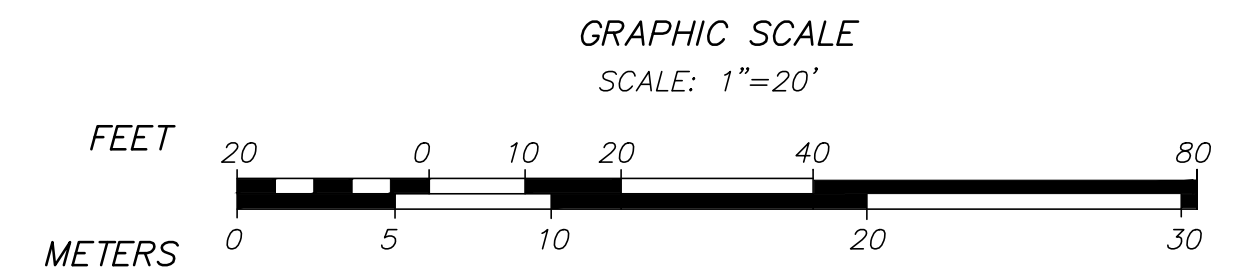


luciferlighting.com
©2019 Lucifer Lighting Company
As part of its policy of continuous research and product development, the company reserves the right to change or withdraw specifications without prior notice.

[PH] 1-210-227-7329 pg. 1
[FAX] 1-210-227-4967

[DATE OF REV: 10019]

RECORD OWNER:
INSTITUTION FOR SAVINGS IN
NEWBURYPORT AND ITS VICINITY
93 STATE STREET
NEWBURYPORT, MASSACHUSETTS 01950



REVISIONS	DATE	DESCRIPTION	BY

93 STATE STREET
BOLLARD PHOTOMETRIC PLAN
LOCATED IN
NEWBURYPORT, MASSACHUSETTS
(ESSEX COUNTY)
PREPARED FOR
INSTITUTION FOR SAVINGS

MERIDIAN ASSOCIATES
500 CUMMINGS CENTER, SUITE 5950
BEVERLY, MASSACHUSETTS 01915
TELEPHONE: (978) 299-0447
WWW.MERIDIANASSOC.COM

69 MILK STREET, SUITE 302
WESTBOROUGH, MASSACHUSETTS 01581
TELEPHONE: (508) 871-7030
WWW.MERIDIANASSOC.COM

CHECKED BY: _____

DATE: OCTOBER 14, 2020
SCALE: 1" = 20'
SHEET No. 1 OF 1
PROJECT No. 6215

(XREF: 6215_REC/6215_SITE)
DWG. No. 6215_PHOTOMETRIC.DWG