

LIGHTING NOTES:

1. THE SOLE PURPOSE OF THIS PLAN IS TO DEPICT THE PHOTOMETRICS OF THE PROPOSED BOLLARD LIGHTS ALONG THE PROPOSED SOUTHERN WALKWAY.
2. LIGHT SELECTION AND DETAIL PROVIDED BY THE ARCHITECT.
3. EXISTING POLE LIGHTS WITHIN THE EXISTING PARKING LOT SHALL REMAIN AS NOTED. ONE NEW POLE LIGHT IS PROPOSED AT THE ENTRY OF THE ADDITION AND SHALL MATCH THE EXISTING LIGHTING IN THE PARKING LOT. POLE LIGHT TO BE DETERMINED BY ARCHITECT.
4. RECESSED LIGHTING TO BE MOUNTED AT 4' HEIGHT UNLESS OTHERWISE SPECIFIED ON THE PLAN.

PROPOSED LIGHTING LEGEND

- EXISTING POLE LIGHT
- PROPOSED RECESSED LIGHT
- PROPOSED 2 FC CONTOUR
- PROPOSED 1 FC CONTOUR
- PROPOSED 0.5 FC CONTOUR
- PROPOSED 0.25 FC CONTOUR
- FC
- PROPOSED FOOTCANDLE

**PATHLIGHTS
DOUBLE IMPACT**

Low glare path lights lead the way through the out of doors, as built-ins or from freestanding bollards.

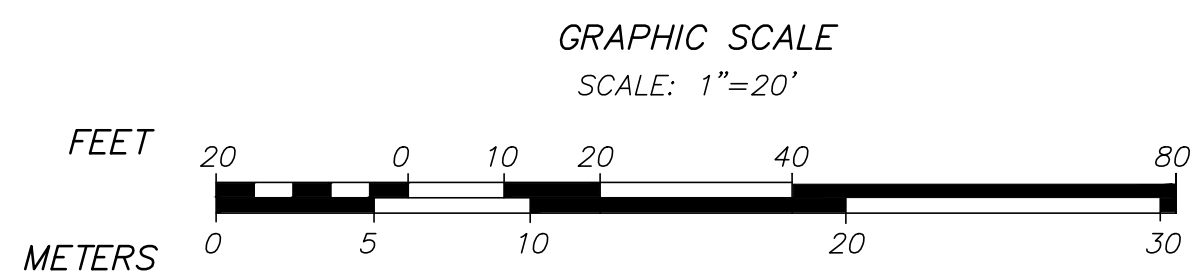
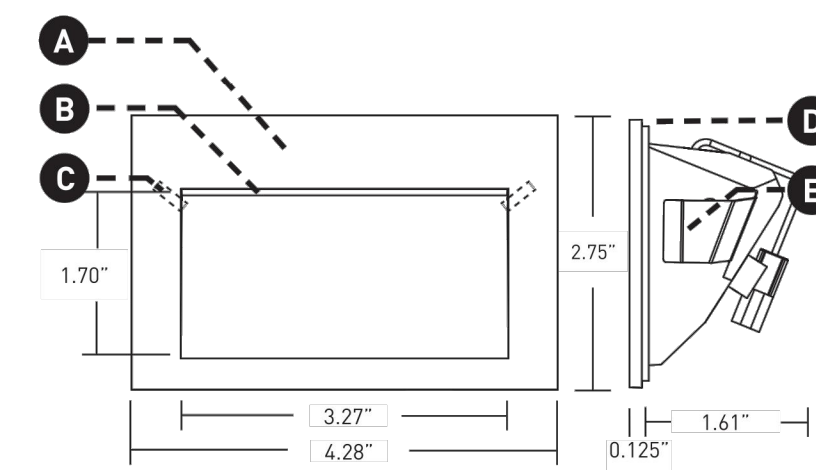
PROJECT NAME: _____ TYPE: _____



ORDERING INFORMATION AND DRAWINGS - FIXTURE

FIXTURE	RATING	FLANGE FINISH	LUMEN PACKAGE	CCT	
ISL2 Double Impact Sleightlight	1 Dry / Damp (Non-Locking) 2 Wet (Locking)	POWDERCOAT FINISH WH White BK Black AS Silver AB Architectural Bronze CF Custom Finish* (*Metal Factory)	NATURAL FINISH IG Industrial Gray SB Brushed Stainless Steel SB2 Brushed Bronze NB Natural Bronze	PLATED FINISH CH Chrome *Brushed/Polished PB Polished Oil-Rubbed Bronze *Custom Color (pH) Color Temp. *Custom color available for wet location only (see spec sheet for details) *Custom color available for wet location only (see spec sheet for details)	BOLLARD 80-CR, 400 Source Lumens SL2 Delivered Lumens - 150
				27 2700K 30 3000K 35 3500K 40 4000K 50 Custom Color (pH) Color Temp. *Custom color available for wet location only (see spec sheet for details) *Custom color available for wet location only (see spec sheet for details)	

- LED Regressed LED with slot aperture for glare-free, energy-efficient path and step lighting; suitable for dry / damp or wet applications. 5.5W DC LED (trimming by power supply).
 - EFFECTS DEVICES Provided with sealed polycarbonate linear diffusion lens; consult factory for availability of color gels, which may achieve custom color temperatures.
 - LOCKING Discreetly hidden tamper-resistant set screws. Included with IP65 Wet location luminaire.
 - GASKET Foam gasket provided. Required for IP65 wet location applications only.
 - RETENTION Tension spring clips secure fixture into back box, mounting plate, or appropriately sized cut-out.
- Available with Bollard mounting, please visit WEBSITE for additional information.
 - Stealth SSL1 and Impact ISL1 pathlights available, please visit WEBSITE for additional information.



RECORD OWNER:

INSTITUTION FOR SAVINGS IN
NEWBURYPORT AND ITS VICINITY
93 STATE STREET
NEWBURYPORT, MASSACHUSETTS 01950

LUCIFER
LIGHTING COMPANY
(DATE OF REV: 100191)

luciferlighting.com

©2019 Lucifer Lighting Company
As part of its policy of continuous research and product development, the company reserves the right to change or withdraw specifications without prior notice.

[PH] 1-210-227-7329 pg. 1
[FAX] 1-210-227-4967

MERIDIAN ASSOCIATES
69 MILK STREET, SUITE 302
BEVERLY, MASSACHUSETTS 01915
TELEPHONE: (978) 299-0447
WWW.MERIDIANASSOC.COM

**93 STATE STREET
BOLLARD PHOTOMETRIC PLAN**
LOCATED IN
NEWBURYPORT, MASSACHUSETTS
(ESSEX COUNTY)
PREPARED FOR
INSTITUTION FOR SAVINGS

DATE: OCTOBER 14, 2020
SCALE: 1" = 20'
SHEET No. 1 OF 1
PROJECT No. 6215

(XREF: 6215_REC/6215_SITE)
DWG. No. 6215_PHOTOMETRIC.DWG

REVISIONS	DATE	DESCRIPTION
	03/10/21	REVISED SUBMISSION
	01/20/21	REVISED SUBMISSION

CHECKED BY:

DESIGNED BY: