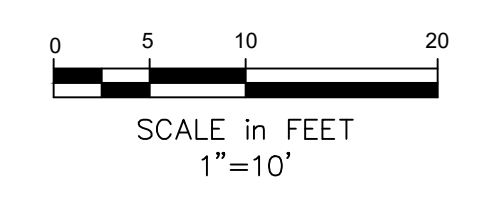
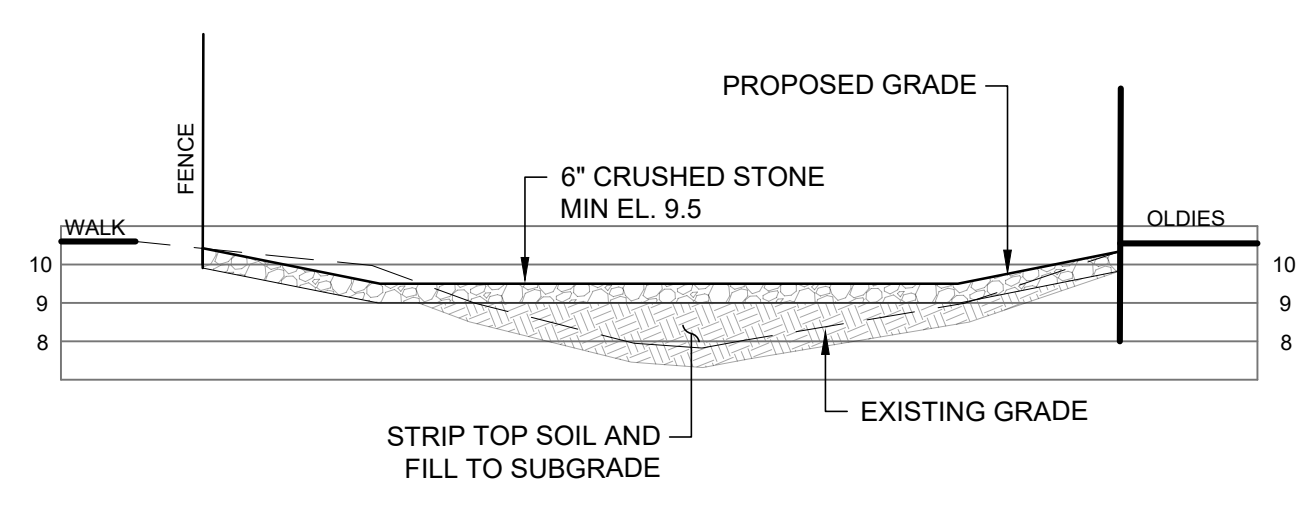


1 SITE PLAN
1"=10'



2 SECTION A-A
1"=5'



No.	Revision/Issue	Date

Design by: PFA	Checked by:
Drawn by:	Approved by:
Project: 22020	Date: AUGUST 30, 2022
Sheet:	