



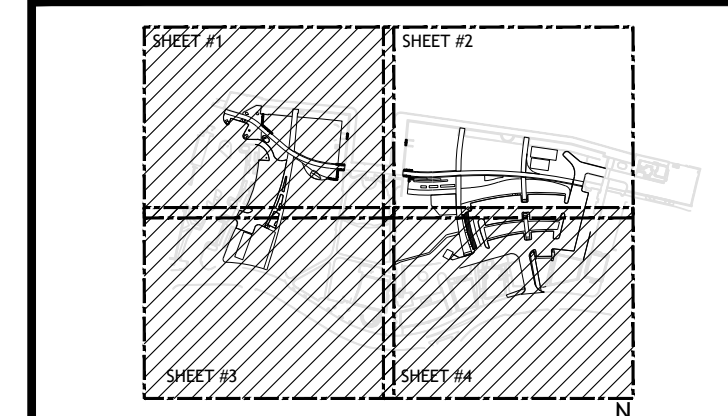
SASAKI

44 PLEASANT STREET WATERTOWN MA 02472 USA
P 617 926 9300 F 617 924 2748 W SASAKI.COM

03	Bulletin 1	08.07.23
02	Addendum 4	05.15.23
01	Addendum 2	05.03.23
	Bid Set	02.01.23

DWG ISSUE & REVISION HISTORY

Stamp



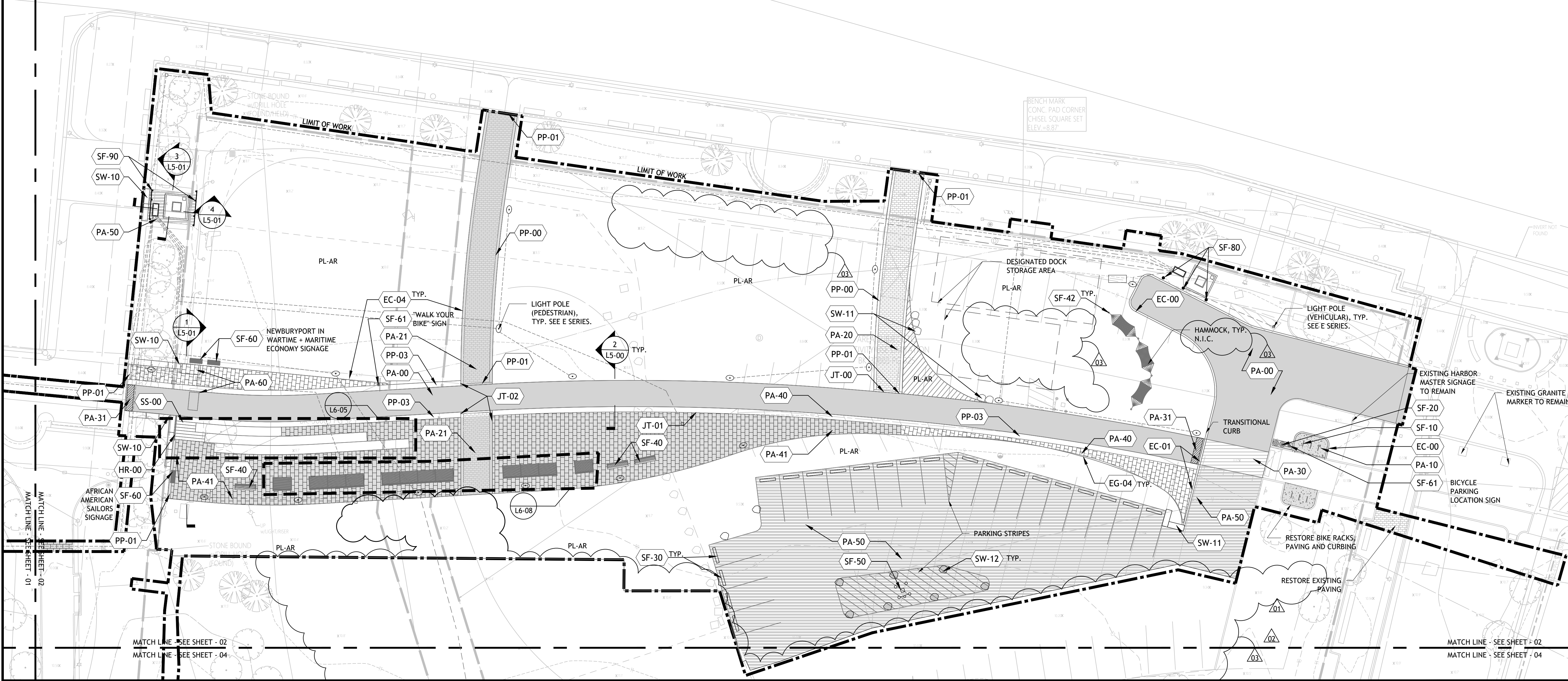
Project Title:
Market Landing Park Expansion
City of Newburyport
Newburyport, Massachusetts

Drawing Title:
MATERIALS PLAN

Project No: 08314.00 Scale: 1" = 20'
Drawn By: RC, WL, XD
Checked By: MB
Approved By: MD
Date: 02.01.2023

Drawing No: **L2-02**

- LEGEND**
- PAVEMENT ASSEMBLIES (PA TYPES) L6-00**
 - PA-00 BITUMINOUS CONCRETE PAVEMENT (VEHICULAR)
 - PA-01 BITUMINOUS CONCRETE PAVEMENT OVER GRAVEL
 - PA-10 CAST IN PLACE CONCRETE PAVEMENT
 - PA-20 BRICK UNIT PAVEMENT (VEHICULAR)
 - PA-21 BRICK UNIT PAVEMENT (PEDESTRIAN)
 - PA-30 GRANITE PAVEMENT AT CROSSING
 - PA-31 GRANITE DETECTABLE WARNING PAVEMENT
 - PA-40 CONCRETE UNIT PAVER (VEHICULAR)
 - PA-41 CONCRETE UNIT PAVER (PEDESTRIAN)
 - PA-50 GRAVEL PAVING
 - PA-60 UTILITY/ACCESS COVER
 - EDGE CONDITIONS (EC TYPES) L6-01**
 - EC-00 GRANITE CURB (VEHICULAR)
 - EC-01 FLUSH GRANITE BAND
 - EC-02 GRANITE PLANTER EDGING - SMALL
 - EC-03 MOUNTABLE CURB (VEHICULAR)
 - EC-04 STEEL EDGE
 - EC-10 CURB RAMP A
 - EC-11 CURB RAMP B
 - EC-12 CURB RAMP C
 - EC-13 DETECTABLE WARNING PLATE
 - PAVEMENT PATTERNS L6-02**
 - PP-00 PAVING BAND AT WAYS EDGE
 - PP-01 EDGE AND TRANSITION BAND A
 - PP-02 EDGE AND TRANSITION BAND B
 - PP-03 PAVING BAND AT SHARED USE PATH
 - SITE STAIRS AND HANDRAILS (SS / RH TYPES) L6-03**
 - HR-00 SS HAND RAIL
 - SS-00 SITE STEPS
 - SITE FURNISHINGS (SF TYPES) L6-09 L6-10 L6-11 L6-12**
 - SF-00 TRELLIS W/ SWING BENCH
 - SF-01 TRELLIS W/ SWING LOUNGE
 - SF-10 BICYCLE RACKS
 - SF-20 WASTE AND RECYCLING RECEPTACLES
 - SF-30 PRECAST CONCRETE WHEEL STOP
 - SF-40 BENCH
 - SF-41 PICNIC TABLE AND BENCHES
 - SF-42 HAMMOCK POST
 - SF-50 PARKING METER
 - SF-60 PARK INTERPRETIVE SIGNAGE
 - SF-61 BIKE AND TRAFFIC SIGNAGE
 - SF-70 TYPICAL SCULPTURE FOOTING
 - SF-80 BOLLARD FOOTING
 - SF-81 WAY MARKER
 - SF-90 WOOD SCREEN TRELLIS
 - SITE WALL (SW TYPES) L6-04**
 - SW-00 SEAT WALL - TIERED
 - SW-10 RECLAIMED GRANITE BLOCK WALL
 - SW-11 RECLAIMED GRANITE BOULDER ON LAWN
 - SW-12 RECLAIMED GRANITE BOULDER ON PAVING
 - SW-13 PLAQUE ON RECLAIMED GRANITE BOULDER
 - LIGHT POLES E SERIES**
 - LIGHT POLE, PEDESTRIAN
 - LIGHT POLE, VEHICULAR
 - PLANTING AREA L6-20 L6-21**
 - PL-AR PLANTING AREAS REFER TO PLANTING PLANS
 - BASE BID LIMIT OF WORK**



8/17/23 5:25:07 PM G:\08314\00\10_Working\13_0_CADD\1_SheetFiles\L2-00_MATERIALS_PLAN.dwg

MATCH LINE - SEE SHEET - 02
MATCH LINE - SEE SHEET - 01

MATCH LINE - SEE SHEET - 02
MATCH LINE - SEE SHEET - 04

MATCH LINE - SEE SHEET - 02
MATCH LINE - SEE SHEET - 04